



APsystems DS&QT&ECU(APAC) Accessories

Rev 1.9

ALTENERGY POWER SYSTEM Inc.
global.APsystems.com

Address: APsystems Headquarter
No. 3535, Linggongtang Road, Nanhu District, Jiaxing, Zhejiang, China
Phone: +86-573-83986967
Email: info.apac@APsystems.com

© All Rights Reserved

Contents

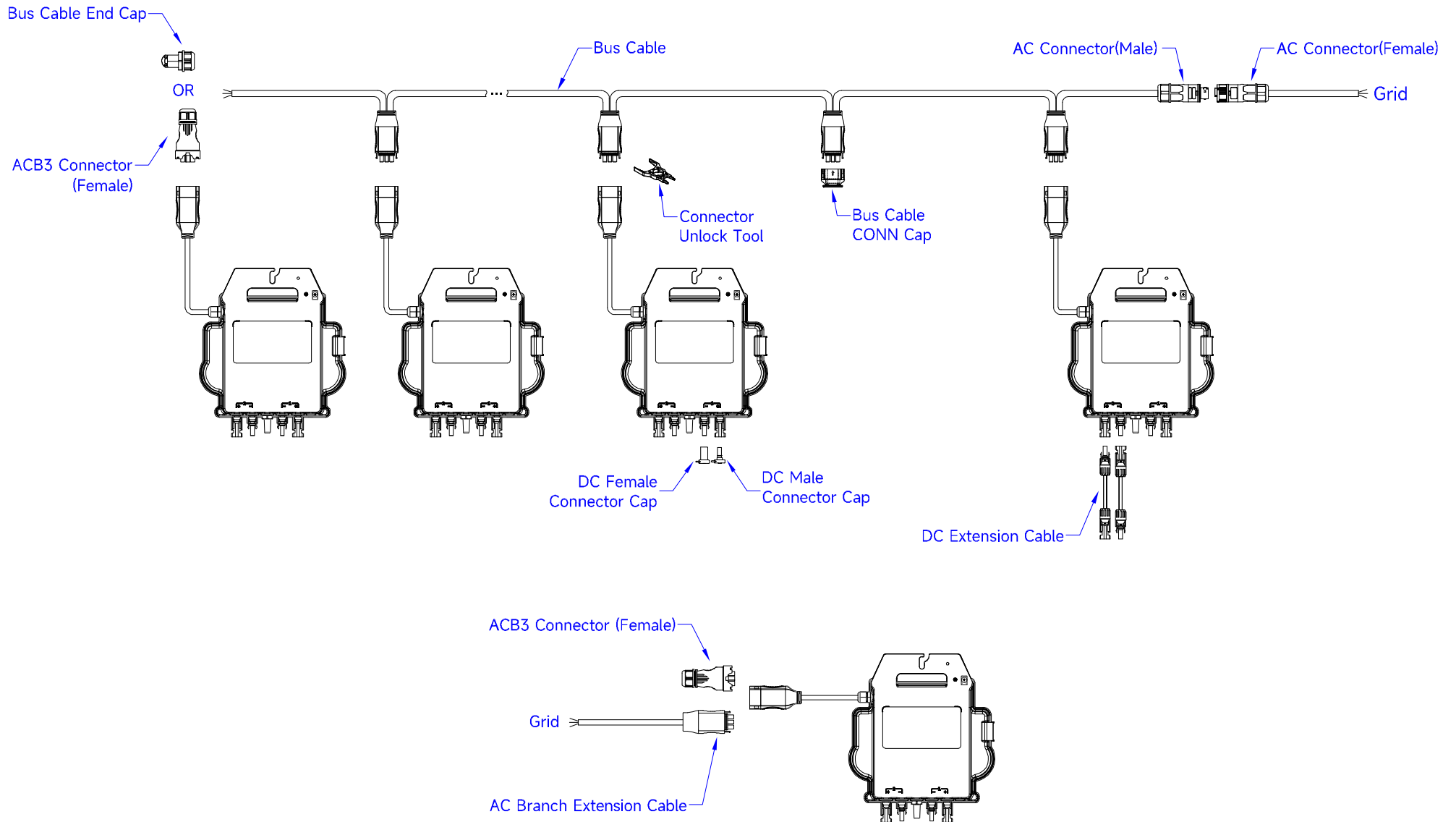
DS3 Series Accessories	3
1. Wiring Diagram	3
2. Dimensions	5
3. Accessories Summary	6
4. Physical Picture	8
5. Accessories information	9
DS3D Accessories	33
1. Wiring Diagram	33
2. DS3D Dimensions	35
3. Accessories Summary	36
4. Physical Picture	38
5. Accessories information	39
QT2 Accessories	40
1. Wiring Diagram	40
2. QT2 Dimensions	41
3. Accessories Summary	42
4. Physical Picture	43
5. Accessories information	44
QT2D(3C) Accessories	57
1. Wiring Diagram	57
2. QT2D(3C) Dimensions	58
3. Accessories Summary	59
4. Physical Picture	60
5. Accessories information	61
QT2D(5C) Accessories	64
1. Wiring Diagram	64
2. QT2D(5C) Dimensions	65
3. Accessories Summary	66
4. Physical Picture	67
ECU-C Accessories	68
1. Wiring Diagram	68

2. ECU-C Dimensions	69
3. Accessories Summary	69
4. Physical Picture	70
5. Accessories information	71
ECU-R Accessories	76
1. Wiring Diagram	76
2. ECU-R Dimensions	77
3. Accessories Summary	77
4. Physical Picture	78
5. Accessories information	79
ECU-B Accessories	84
1. Wiring Diagram	84
2. ECU-B Dimensions	85
3. Accessories Summary	85
4. Physical Picture	86

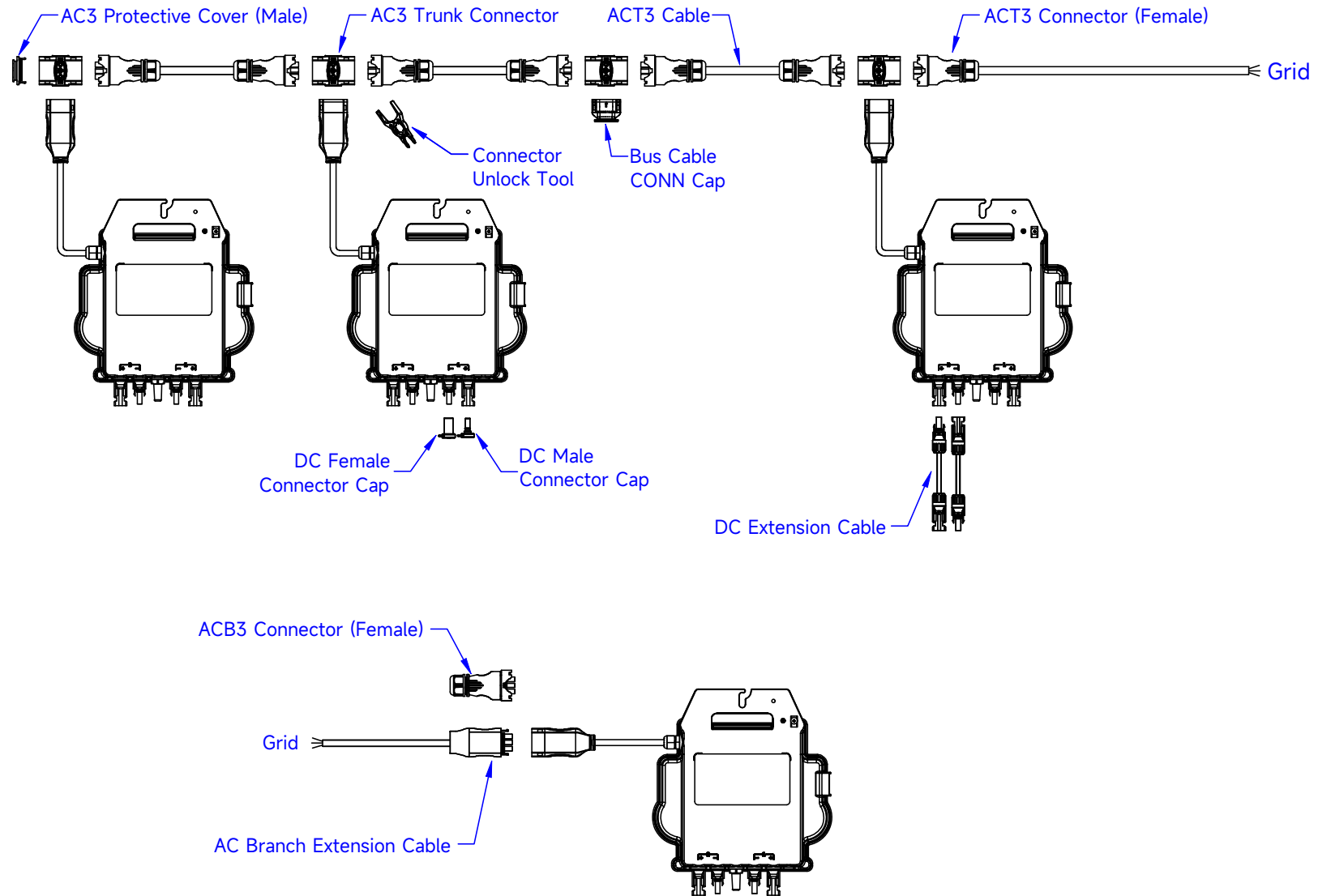
DS3 Series Accessories

1. Wiring Diagram

Y3

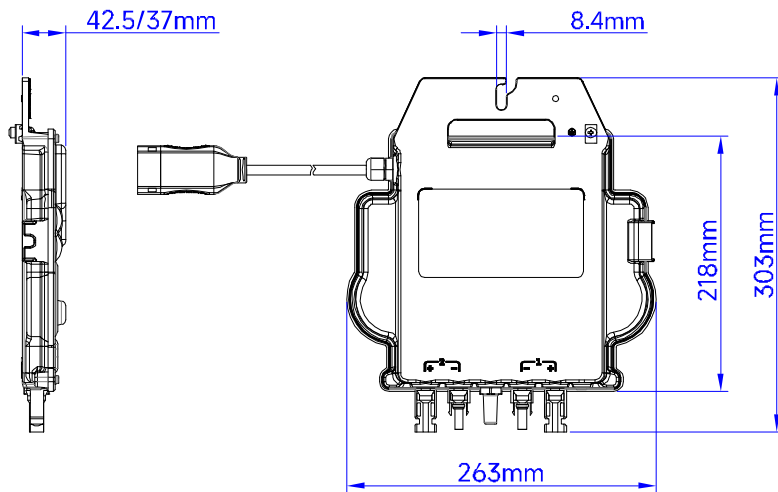


AC3

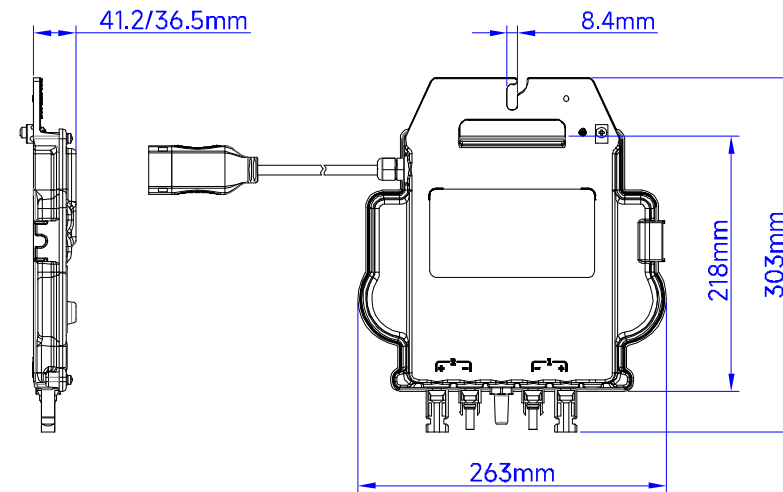


2. Dimensions

DS3/DS3-H Dimensions



DS3-L/DS3-M/DS3-S Dimensions



3. Accessories Summary

Y3

Region		Accessories										
		Bus Cable (Mandatory)	AC Branch Extension Cable (Optional)	Bus Cable End Cap (Mandatory)	Bus Cable CONN Cap (Optional)	Connector Unlock Tool (Mandatory)	DC Male Connector Cap (Optional)	DC Female Connector Cap (Optional)	AC Connector (Male) (Optional)	AC Connector (Female) (Optional)	DC Extension Cable (Optional)	ACB3 Connector (Female) (Optional)
APAC	Taiwan	2322301303_Split Phase Bus Cable (12AWG,TC,2m)	2334075242_Split Phase Br. Ext-cable (18AWG,TC, 2m)	2060700017 _ 3-wire Bus Cable End Cap (See Pic. C)	2061702007 _Bus Cable Y-CONN Cap (See Pic. D)	2355000003_ Y3-DC Connector Unlock Tool (See Pic. E)	2060401006_DC Male Connector Cap (MC4) (See Pic. F)	2060402006_ DC Female Connector Cap (MC4) (See Pic. G)	2300931212_ AC Connector (3 core, two seals, male) (See Pic. H)	2300932212 _AC Connector (3 core, two seals, female) (See Pic. I)	2310310274 _1m DC Extension Cable (MC4)	2301432705_ ACB3 Connector (3C, female, 25A, two seals) (See Pic. O)
	Philippines	2322600403_Split Phase Bus Cable (10AWG,TC,2.4m) (See Pic. A)	(See Pic. B)								2310360214 _2m DC Extension Cable (MC4)	
	Sri Lanka Thailand -THA: 117057 Vietnam Indonesia	2322304903_Single Phase Bus Cable (2.5mm ² , H07,2m)	2334076132_ Single Phase Br. Ext-cable (2.5mm ² ,1m) (See Pic. B)									
		2322601503_Single Phase Bus Cable (4mm ² , PV07,2.4m) (See Pic. A)										

Notes: The cables in this table are recommended by APsystems, and the O.D. and length of the cable can be customized according to customer needs.

AC3

Region		Accessories										
		ACT3 Cable (Mandatory)	AC Branch Extension Cable (Optional)	AC3 Protective Cover (male) (Mandatory)	Bus Cable CONN Cap (Optional)	Connector Unlock Tool (Mandatory)	DC Male Connector Cap (Optional)	DC Female Connector Cap (Optional)	AC3 Trunk Connector (Mandatory)	ACT3 Connector (Female) (Mandatory)	DC Extension Cable (Optional)	ACB3 Connector (Female) (Optional)
APAC	Taiwan Philippines	2338111132_ ACT3 Cable (12AWG, TC-ER,2.3m)	2334075242_ Split Phase Br. Ext-cable (18AWG,TC, 2m) (See Pic. B)	2062731007_ AC3 Protective Cover (male) (See Pic. L)	2061702007_ Bus Cable Y-CONN Cap (See Pic. D)	2355000003_ Y3-DC Connector Unlock Tool (See Pic. E)	2060401006_ DC Male Connector Cap (MC4) (See Pic. F)	2060402006_ DC Female Connector Cap (MC4) (See Pic. G)	2301733005_ AC3 Trunk Connector (2male-1female) (See Pic. M)	2301632505_ ACT3 Connector (3core,female,40A) (See Pic. N)	2310310274_ 1m DC Extension Cable (MC4)	2301432705_ ACB3 Connector (3C, female, 25A, two seals) (See Pic. O)
	Sri Lanka Thailand -THA: 117057 Vietnam Indonesia	2338102613_ ACT3 Cable (2.5mm ² , H07,2.3m)	2334076132_ Single Phase Br. Ext-cable (2.5mm ² ,1m) (See Pic. B)								2310360214_ 2m DC Extension Cable (MC4)	2310360224_ 3m DC Extension Cable (MC4) (See Pic. J)

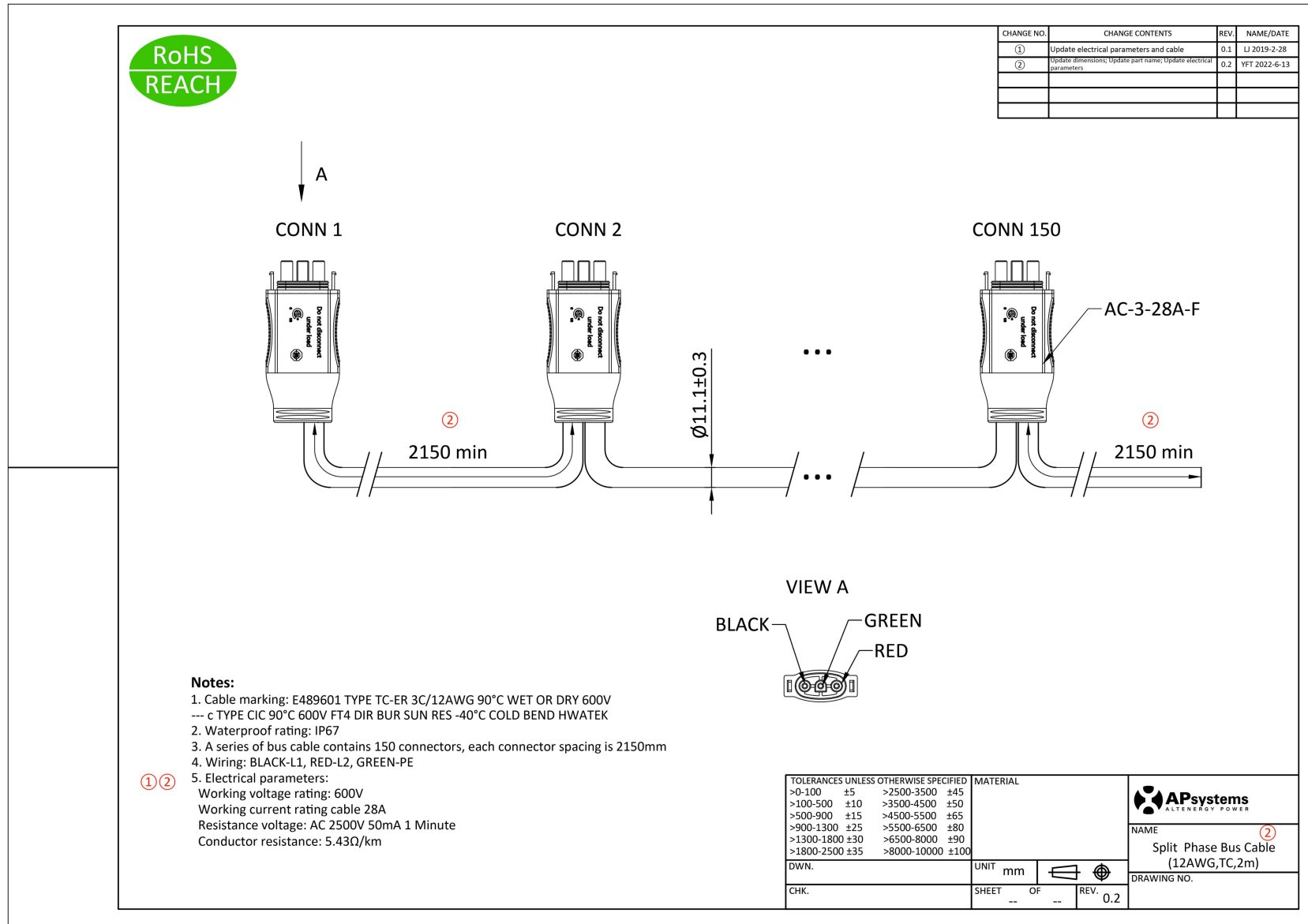
Notes: The cables in this table are recommended by APsystems, and the O.D. and length of the cable can be customized according to customer needs.

4. Physical Picture

<p>Bus Cable</p>  <p>Pic. A</p>	<p>AC Branch Extension Cable</p>  <p>Pic. B</p>	<p>Bus Cable End Cap</p>  <p>Pic. C</p>	<p>Bus Cable CONN Cap</p>  <p>Pic. D</p>	<p>Connector Unlock Tool</p>  <p>Pic. E</p>	<p>DC Male Connector Cap</p>  <p>Pic. F</p>
<p>DC Female Connector Cap</p>	<p>AC Connector (Male)</p>	<p>AC Connector (Female)</p>	<p>DC Extension Cable</p>	<p>ACT3 Cable</p>	<p>AC3 Protective Cover (male)</p>
 <p>Pic. G</p>	 <p>Pic. H</p>	 <p>Pic. I</p>	 <p>Pic. J</p>	 <p>Pic. K</p>	 <p>Pic. L</p>
<p>AC3 Trunk Connector</p>	<p>ACT3 Connector (Female)</p>	<p>ACB3 Connector (Female)</p>			
 <p>Pic. M</p>	 <p>Pic. N</p>	 <p>Pic. O</p>			

5. Accessories information

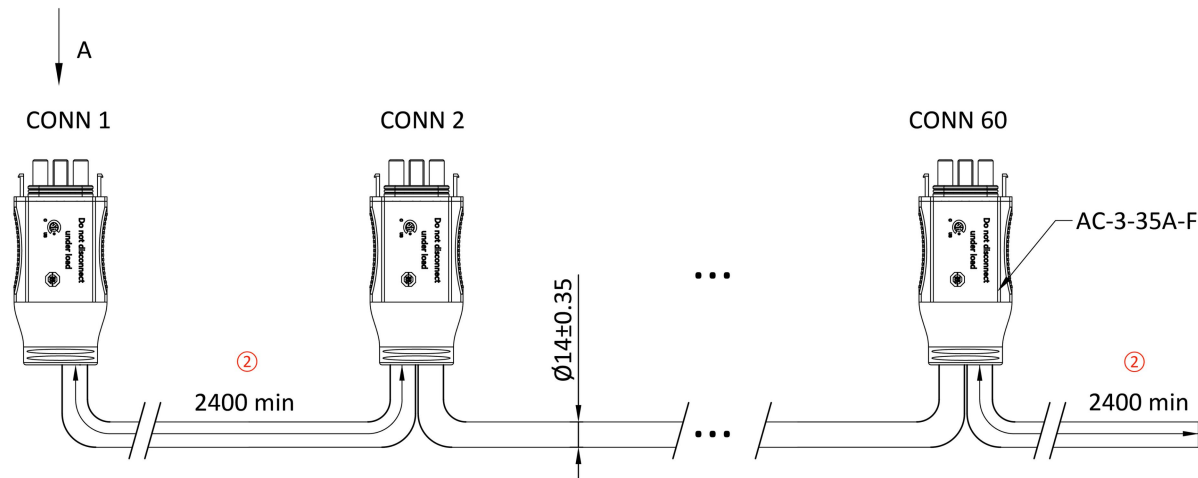
2322301303_Split Phase Bus Cable (12AWG,TC,2m)



2322600403_Split Phase Bus Cable (10AWG,TC,2.4m)

RoHS
REACH

CHANGE NO.	CHANGE CONTENTS	REV.	NAME/DATE
①	Update number of connectors	0.1	YFT 2021-9-24
②	Update dimensions; Update electrical parameters	0.2	YFT 2022-4-15
③	Update part name	0.3	YFT 2022-6-13
④	Update electrical parameters	0.4	YFT 2022-6-30



Notes:

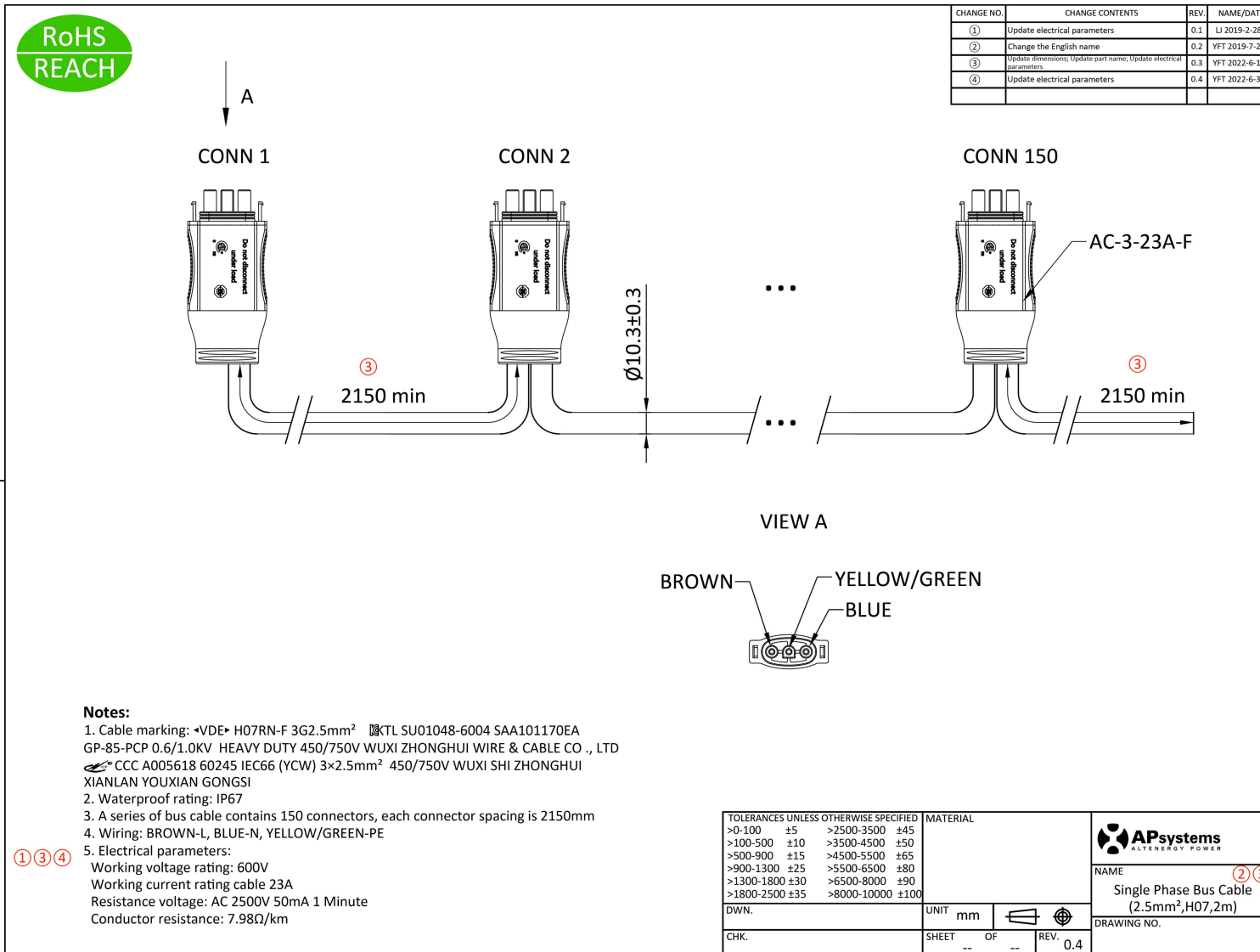
1. Cable marking: E489601 (UL)TYPE TC-ER 3C/10AWG 90°C WET OR DRY 600V
--- c(UL) TYPE CIC 90°C 600V FT1 XLPE 3C/10AWG FT4 DIR BUR SUN RES COLD BEND HWATEK CE
2. Waterproof rating: IP67
3. A series of bus cable contains 60 connectors, each connector spacing is 2400mm
4. Wiring: BLACK-L1, RED-L2, GREEN-PE
5. Electrical parameters:
Working voltage rating: 600V
Working current rating cable 35A
Resistance voltage: AC 2500V 50mA 1 Minute
Conductor resistance: 3.409Ω/km

①

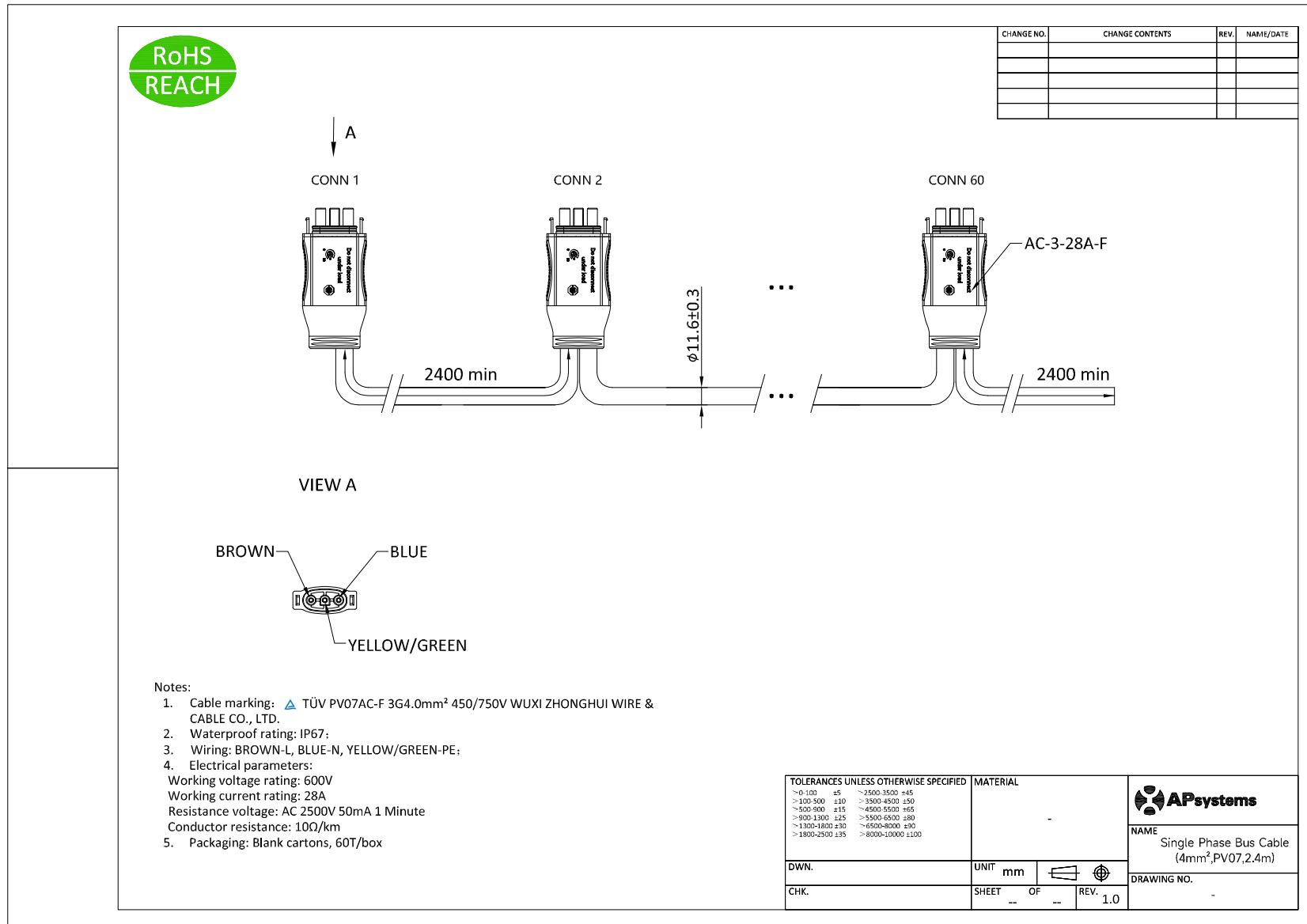
② ④

TOLERANCES UNLESS OTHERWISE SPECIFIED	MATERIAL	APsystems ALTERNATE POWER	
>0-100 ±5	>2500-3500 ±45	NAME Split Phase Bus Cable (10AWG,TC,2.4m) DRAWING NO.	
>100-500 ±10	>3500-4500 ±50		
>500-900 ±15	>4500-5500 ±65		
>900-1300 ±25	>5500-6500 ±80		
>1300-1800 ±30	>6500-8000 ±90		
>1800-2500 ±35	>8000-10000 ±100		
DWN.	UNIT mm		
CHK.	SHEET -- OF --		

2322304903_Single Phase Bus Cable (2.5mm²,H07,2m)



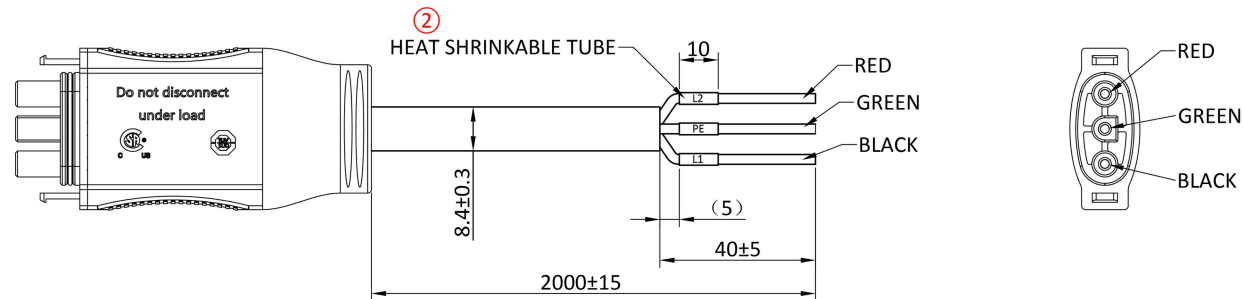
2322601503_Single Phase Bus Cable (4mm²,PV07,2.4m)



2334075242_ Split Phase Br. Ext-cable (18AWG,TC, 2m)



CHANGE NO.	CHANGE CONTENTS	REV.	NAME/DATE
①	Update electrical parameters and cable	0.1	LJ 2019-2-28
②	Change the label to heat shrinkable tube	0.2	YFT 2020-5-22
③	Update part name; Update electrical parameters	0.3	YFT 2022-6-13



WIRE RUN LIST		
AWG	COLOR	LABEL
18	BLACK	L1
	RED	L2
	GREEN	PE

Notes:

- ① 1. Cable:E489601 TYPE TC-ER 3C/18AWG 90°C WET OR DRY 600V OIL RES
--- c TYPE CIC 90°C 600V FT4 DIR BUR SUN RES -40°C COLD IMPACT AND COLD BEND HWATEK
2. Waterproof rating: IP67;
3. Wiring: BLACK-L1, RED-L2, GREEN-PE;
- ①③ 4. Electrical parameters:
Working voltage rating: 600V
Working current rating cable 10A
Resistance voltage: AC 2500V 50mA 1 Minute
Conductor resistance: 21.8Ω/km

TOLERANCES UNLESS OTHERWISE SPECIFIED		MATERIAL	
>0-100	±5	>2500-3500	±45
>100-500	±10	>3500-4500	±50
>500-900	±15	>4500-5500	±65
>900-1300	±25	>5500-6500	±80
>1300-1800	±30	>6500-8000	±90
>1800-2500	±35	>8000-10000	±100

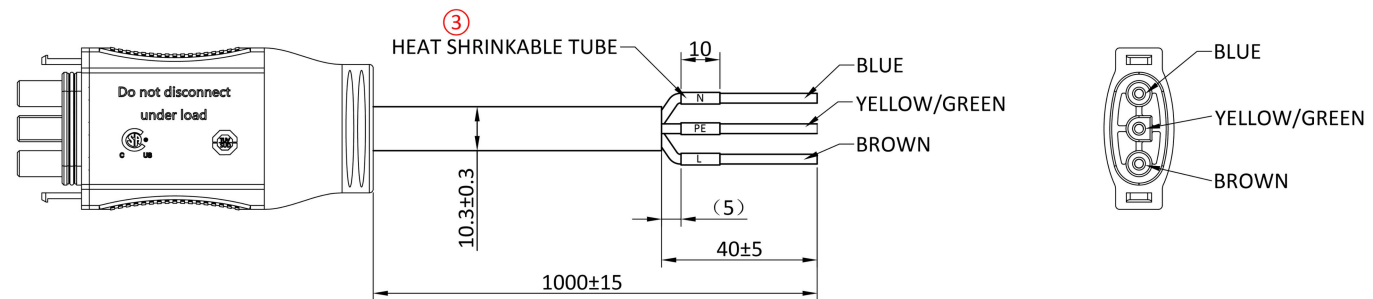
DWN.	UNIT	mm	
CHK.	SHEET	OF	REV. 0.3

NAME	
Split Phase Br. Ext-cable (18AWG,TC,2m) ③	
DRAWING NO.	

2334076132_ Single Phase Br. Ext-cable (2.5mm²,1m)



CHANGE NO.	CHANGE CONTENTS	REV.	NAME/DATE
①	Update electrical parameters	0.1	LI 2019-2-28
②	Change the part name	0.2	YFT 2019-7-26
③	Change the label to heat shrinkable tube	0.3	YFT 2020-5-22
④	Update part name; Update electrical parameters	0.4	YFT 2022-6-13
⑤	Update electrical parameters	0.5	YFT 2022-6-30



WIRE RUN LIST		
mm ²	COLOR	LABEL
2.5	BROWN	L
	BLUE	N
	YELLOW/GREEN	PE

Notes:

1. Cable: •VDE• H07RN-F 3G2.5mm² KTL SU01048-6004 SAA101170EA GP-85-PCP 0.6/1.0KV HEAVY DUTY 450/750V WUXI ZHONGHUI WIRE & CABLE CO., LTD CCC A005618 60245 IEC66 (YCW) 3×2.5mm² 450/750V WUXI SHI ZHONGHUI XIANLAN YOUXIAN GONGSI

2. Waterproof rating: IP67;

3. Wiring: BROWN-L, BLUE-N, YELLOW/GREEN-PE;

①④⑤ 4. Electrical parameters:
 Working voltage rating: 600V
 Working current rating cable 23A
 Resistance voltage: AC 2500V 50mA 1 Minute
 Conductor resistance: 7.98Ω/km

TOLERANCES UNLESS OTHERWISE SPECIFIED			MATERIAL
>0-100	±5	>2500-3500	±45
>100-500	±10	>3500-4500	±50
>500-900	±15	>4500-5500	±65
>900-1300	±25	>5500-6500	±80
>1300-1800	±30	>6500-8000	±90
>1800-2500	±35	>8000-10000	±100

DWN.	UNIT	mm	
CHK.	SHEET	OF	REV. 0.5



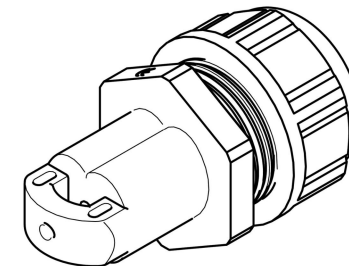
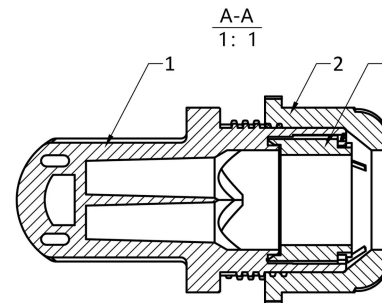
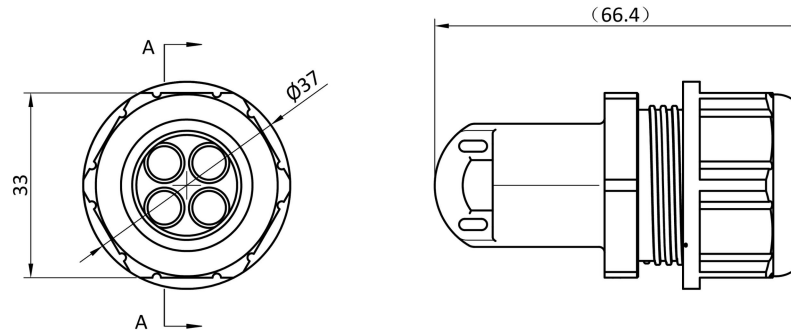
NAME
 Single Phase Br. ②④
 Ext-Cable(2.5mm²,1m)

DRAWING NO.


2060700017_ 3-wire Bus Cable End Cap

RoHS
REACH

CHANGE NO.	CHANGE CONTENTS	REV.	NAME/DATE
①	Change the name	0.2	ZZH 2023-6-9



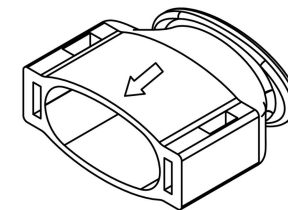
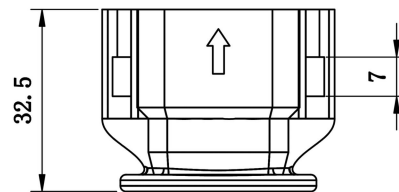
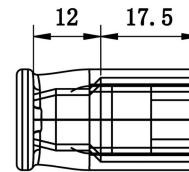
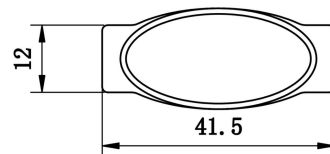
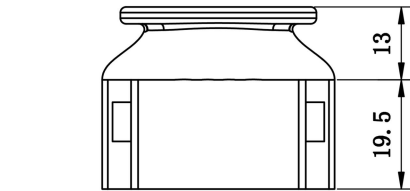
- Notes:
1. Cable Size: 10~16mm;
 2. Nut Torque: 3.0~5.0N·m;
 3. Waterproof Rating: IP68;
 4. Operating Temperature Range: -40~105°C;

3	Sealing bushing		Rubber	1	
2	Round nut		PA6	1	
1	Joint body		PA6	1	
NO.	NAME	TYPE	MAT.	QTY.	REMARK
TOLERANCES UNLESS OTHERWISE SPECIFIED		MATERIAL			
±0.5		-			
DWN.	UNIT mm		 NAME ① 3-wire Bus Cable End Cap		
CHK.	SHEET -- OF --	REV. 2.1	DRAWING NO. -		


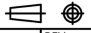
2061702007_Bus Cable Y-CONN Cap



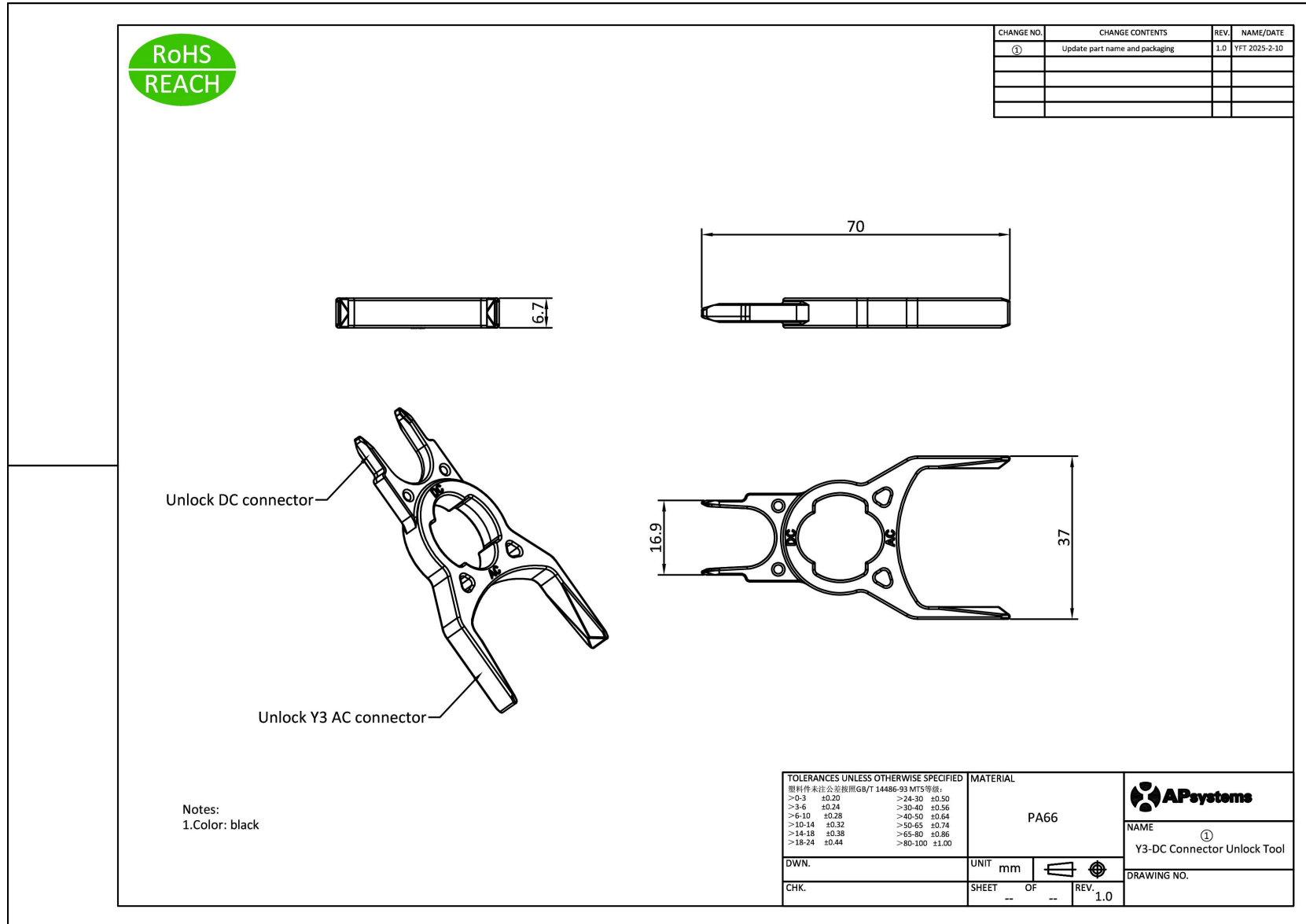
CHANGE NO.	CHANGE CONTENTS	REV.	NAME/DATE



Notes:
1. Type: DUO0050

TOLERANCES UNLESS OTHERWISE SPECIFIED > 0.5°: ±0.15 > 3°: ±0.2 > 6°-30°: ±0.5 > 30°-120°: ±0.8 > 120°-315°: ±1.2 ANGLES: ±1°	MATERIAL		 NAME Bus Cable Y-CONN Cap
	PPE		
DWN.	UNIT		DRAWING NO.
CHK.	SHEET -- OF --		REV. 0.0

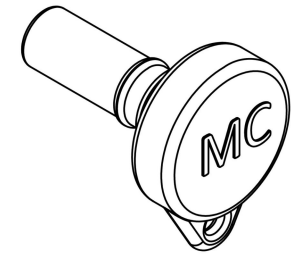
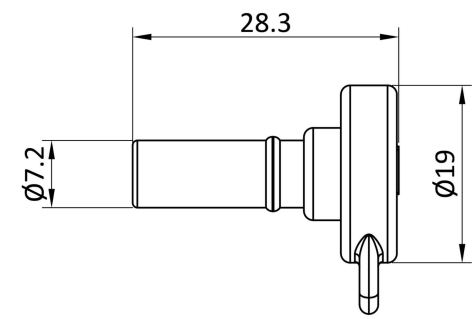
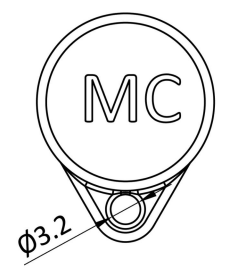
235500003_Y3-DC Connector Unlock Tool




2060401006_DC Male Connector Cap (MC4)

RoHS
REACH

CHANGE NO.	CHANGE CONTENTS	REV.	NAME/DATE



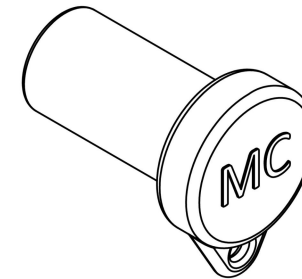
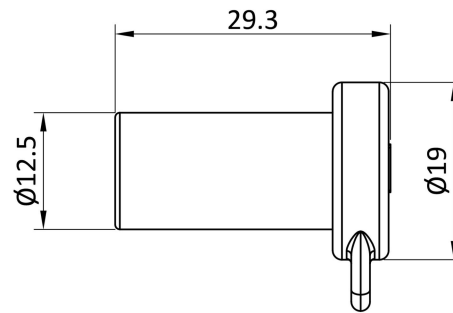
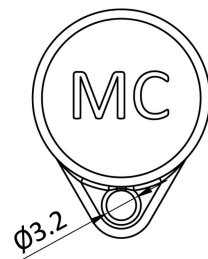
Notes:
1. Type: PV-SVK4;
2. Degree of protection: IP67;

TOLERANCES UNLESS OTHERWISE SPECIFIED ±0.5	MATERIAL TPE	 APsystems <small>ALTERNATIVE ENERGY POWER</small> NAME DC Male Connector Cap (MC4)
DWN.	UNIT mm	
CHK.	SHEET -- OF -- REV. 0.0	DRAWING NO. -


2060402006_DC Female Connector Cap (MC4)

**RoHS
REACH**

CHANGE NO.	CHANGE CONTENTS	REV.	NAME/DATE



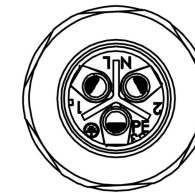
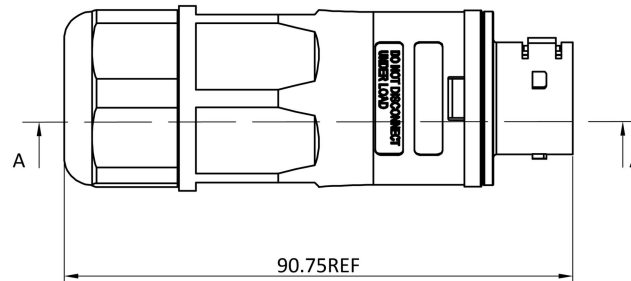
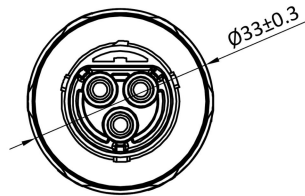
- Notes:
 1. Type: PV-BVK4;
 2. Degree of protection: IP67;

TOLERANCES UNLESS OTHERWISE SPECIFIED ±0.5	MATERIAL TPE	 NAME DC Female Connector Cap (MC4)
DWN.	UNIT mm	
CHK.	SHEET -- OF -- REV. 0.0	DRAWING NO. -

2300931212_AC Connector (3 core, two seals, male)

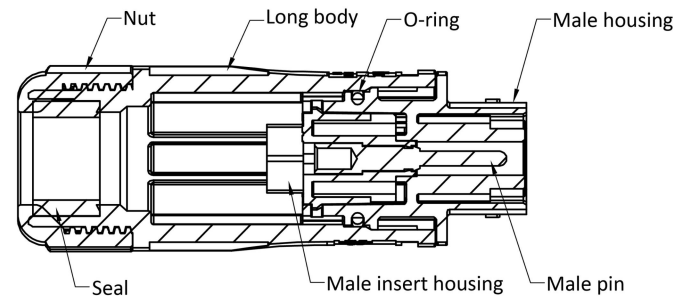


CHANGE NO.	CHANGE CONTENTS	REV.	NAME/DATE
①	Add seal; update Cable O.D; update current; update name	1.0	YFT 2022-8-9



Single-phase connect to L/N/PE
Three-phase connect to 1/2/3

A-A
1: 1



① Two seals
Seal inner diameter $\phi 17$ (black)
For cable size: 4mm² or 10AWG

Seal inner diameter $\phi 13$ (grey)
For cable size: 2.5mm² or 12AWG

Notes:

Electrical

1. Rated Voltage: 250V AC;
2. Rated Impulse Voltage: 4000V;
3. Rated Current: CSA 32A, TUV 35A;
4. Contact Resistance: $\leq 5\text{m}\Omega$;
5. Insulation Resistance: $\geq 500\text{M}\Omega$;

Mechanical:

1. Mating Cycle: ≥ 500 ;
2. Cable Retention Force: $\geq 120\text{N}$;
3. Pin Retention Force: $\geq 80\text{N}$;
4. Cable O.D: $10 \sim 15\text{mm}$;
5. Wire Size: $\leq 6.0\text{mm}^2$ (10AWG);

Environmental:

1. Waterproof Rate: IP68 1m24H;
2. Application Temperature: $-40^\circ\text{C} \sim +105^\circ\text{C}$;
3. Flaming Level: UL94-V0;

Material:

1. Plastic Material: PC&PBT(f1)
2. Pin Material: Copper Alloy, Silver Plating;
3. Sealing Material: Silicone Rubber;
4. Screw Material: SUS, Torque 0.8N.m

Others:

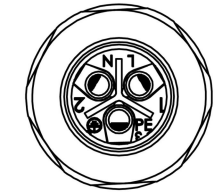
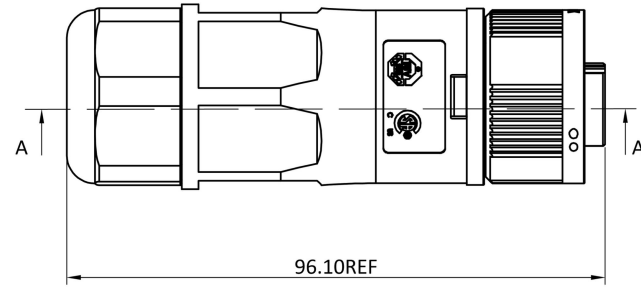
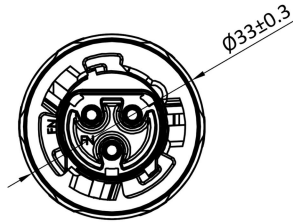
1. Type : EN034-2103-101;

TOLERANCES UNLESS OTHERWISE SPECIFIED		MATERIAL		
X.: ± 0.20	X°: $\pm 2.00^\circ$			
.X: ± 0.10	.X°: $\pm 1.00^\circ$			AC Connector
.XX: ± 0.05	.XX°: $\pm 0.50^\circ$			(3 core,two seals,male)
.XXX: ± 0.03	.XXX°: $\pm 0.30^\circ$			DRAWING NO.
DWN.	UNIT mm			
CHK.	SHEET -- OF --	REV. 1.0		

2300932212_AC Connector (3 core, two seals, female)

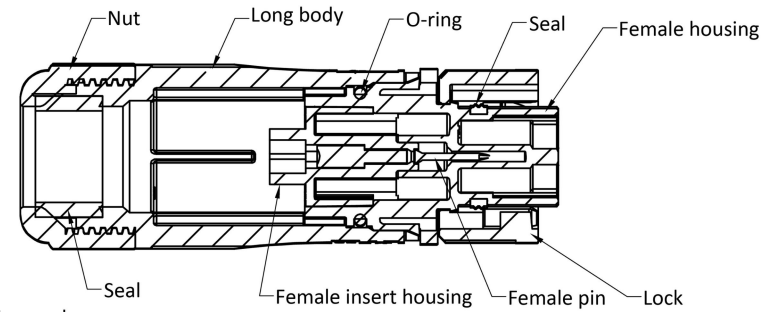


CHANGE NO.	CHANGE CONTENTS	REV.	NAME/DATE
①	Add seal; update Cable O.D; update current; update name.	1.0	YFT 2022-8-9



Single-phase connect to L/N/PE
Three-phase connect to 1/2/3

A-A
1:1



- Notes:**
- Electrical**
1. Rated Voltage: 250V AC;
 2. Rated Impulse Voltage: 4000V;
 3. Rated Current: CSA 32A, TUV 35A;
 4. Contact Resistance: ≤5mΩ;
 5. Insulation Resistance: ≥500MΩ;
- Mechanical:**
1. Mating Cycle: ≥500;
 2. Cable Retention Force: ≥120N;
 3. Pin Retention Force: ≥80N;
 4. Cable O.D: 10~15mm;
 5. Wire Size: ≤6.0mm²(10AWG);
- Environmental:**
1. Waterproof Rate: IP68 1m24H;
 2. Application Temperature: -40°C~+105°C;
 3. Flaming Level: UL94-V0;
- Material:**
1. Plastic Material: PC&PBT(f1)
 2. Pin Material: Copper Alloy, Silver Plating;
 3. Sealing Material: Silicone Rubber;
 4. Screw Material: SUS, Torque 0.8N.m
- Others:**
1. Type: EN034-2203-101;

- ① Two seals
Seal inner diameter $\phi 17$ (black)
For cable size: 4mm² or 10AWG

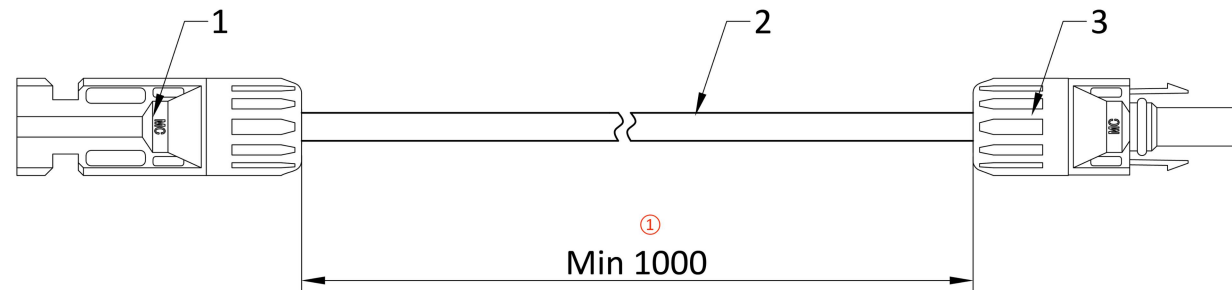
Seal inner diameter $\phi 13$ (grey)
For cable size: 2.5mm² or 12AWG

TOLERANCES UNLESS OTHERWISE SPECIFIED		MATERIAL	
X.: ±0.20	X°: ±2.00°		APsystems ALTERNATIVE POWER NAME AC Connector (3 core, two seals, female) DRAWING NO. -
.X: ±0.10	.X°: ±1.00°		
.XX: ±0.05	.XX°: ±0.50°		
.XXX: ±0.03	.XXX°: ±0.30°		
DWN.	UNIT mm	SHEET -- OF --	REV. 1.0
CHK.			

2310310274_1m DC Extension Cable (MC4)





CHANGE NO.	CHANGE CONTENTS	REV.	NAME/DATE
①	Update cable type; Update dimensions	0.1	YFT 2022-9-14



3	DC Connector (female)	MC4 PV-KBT4/6II		1	Female, STAUBLI	
① 2	DC Cable	FLEX-SOL-EVO-DX 4.0		1	4.0mm ² , TUV/UL certification	
		62930 IEC 131/PV		1	4.0mm ² /12AWG, TUV/UL certification	Alternative
1	DC Connector (male)	MC4 PV-KST4/6II		1	Male, STAUBLI	

Notes:

1. The DC cable and connector connect firmly, can sustain 100N-60s tension
2. The pin concentric with plastic parts, ensure that there is no contradict phenomenon when male connector inserts into female connector

NO.	NAME	TYPE	MAT.	QTY.	DESCRIPTION	REMARK
TOLERANCES UNLESS OTHERWISE SPECIFIED		MATERIAL				
> 0-100	±5	> 2500-3500	±45	 NAME 1m DC Extension Cable (MC4) DRAWING NO.		
> 100-500	±10	> 3500-4500	±50			
> 500-900	±15	> 4500-5500	±65			
> 900-1300	±25	> 5500-6500	±80			
> 1300-1800	±30	> 6500-8000	±90			
> 1800-2500	±35	> 8000-10000	±100			
DWN.		UNIT	mm			
CHK.		SHEET	--	OF	--	REV. 0.1

2310360214_2m DC Extension Cable (MC4)

RoHS
REACH

CHANGE NO.	CHANGE CONTENTS	REV.	NAME/DATE
②	Add alternative cable	0.2	YFT 2022-9-14

Min 2000

Notes:

- The DC cable and connector connect firmly, can sustain 100N-60s tension
- The pin concentric with plastic parts, ensure that there is no contradict phenomenon when male connector inserts into female connector

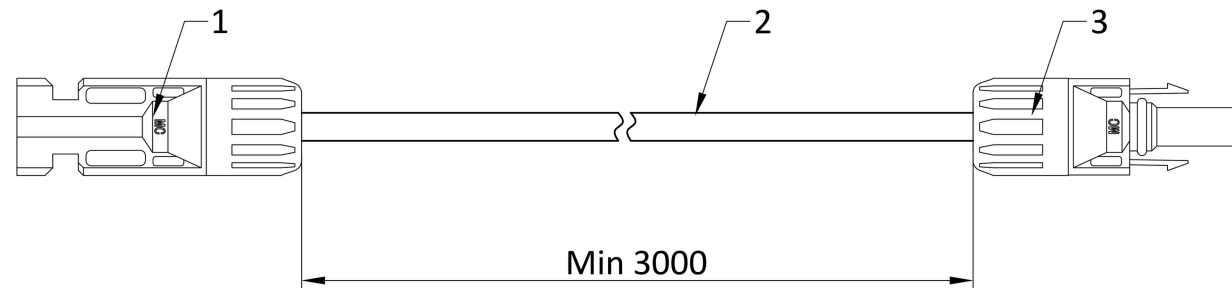
3	DC Connector (female)	MC4 PV-KBT4/6II	1	Female, STAUBLI	
①	DC Cable	FLEX-SOL-EVO-DX 4.0	1	4.0mm ² , TUV/UL certification	
		62930 IEC 131/PV	1	4.0mm ² /12AWG, TUV/UL certification	Alternative
1	DC Connector (male)	MC4 PV-KST4/6II	1	Male, STAUBLI	

NO.	NAME	TYPE	MAT.	QTY.	DESCRIPTION	REMARK
TOLERANCES UNLESS OTHERWISE SPECIFIED						
>0-100	±5	>2500-3500	±45	MATERIAL		
>100-500	±10	>3500-4500	±50	<p>NAME 2m DC Extension Cable (MC4)</p>		
>500-900	±15	>4500-5500	±65			
>900-1300	±25	>5500-6500	±80			
>1300-1800	±30	>6500-8000	±90			
>1800-2500	±35	>8000-10000	±100			
DWN.	UNIT mm				DRAWING NO.	
CHK.	SHEET -- OF --		REV. 0.2			

2310360224_3m DC Extension Cable (MC4)



CHANGE NO.	CHANGE CONTENTS	REV.	NAME/DATE
①	Add alternative cable	0.1	YFT 2022-9-14

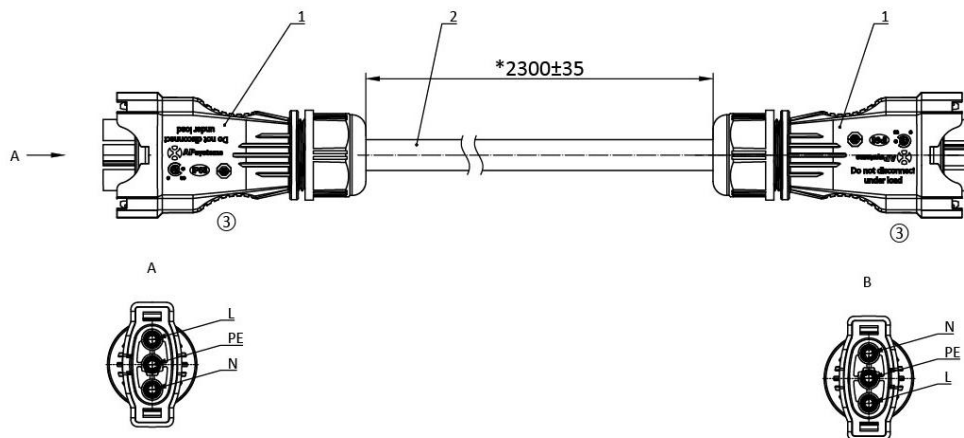


3	DC Connector (female)	MC4 PV-KBT4/6II		1	Female, STAUBLI	
① 2	DC Cable	FLEX-SOL-EVO-DX 4.0		1	4.0mm ² , TUV/UL certification	
		62930 IEC 131/PV		1	4.0mm ² /12AWG, TUV/UL certification	Alternative
1	DC Connector (male)	MC4 PV-KST4/6II		1	Male, STAUBLI	

- Notes:
1. The DC cable and connector connect firmly, can sustain 100N-60s tension
 2. The pin concentric with plastic parts, ensure that there is no contradict phenomenon when male connector inserts into female connector

NO.	NAME	TYPE	MAT.	QTY.	DESCRIPTION	REMARK
TOLERANCES UNLESS OTHERWISE SPECIFIED		MATERIAL				
>0-100	±5	>2500-3500	±45	 NAME 3m DC Extension Cable (MC4) DRAWING NO.		
>100-500	±10	>3500-4500	±50			
>500-900	±15	>4500-5500	±65			
>900-1300	±25	>5500-6500	±80			
>1300-1800	±30	>6500-8000	±90			
>1800-2500	±35	>8000-10000	±100			
DWN.		UNIT	mm		REV.	0.1
CHK.		SHEET	--	OF	--	

2338102613 ACT3 Cable (2.5mm², H07, 2.3m)



CHANGE NO.	CHANGE CONTENTS	REV.	NAME/DATE
①	Modify Packaging Specifications	1.1	
②	Add Lifting Lead Test	1.1	
③	Add Logo	1.1	

① Box(38.5×38.5×33cm)

Box label

Product ACT3 Cable (2.5mm ² , H07, 2.3m)		165
Type ACT3, 2.5mm ² , H07RN-F, 2.3M		
P/N 		
Quantity 	30pcs	
Date Code YYYYWW	Country of Origin China	
N/W		
G/W Remark		
100		

Technical parameter:

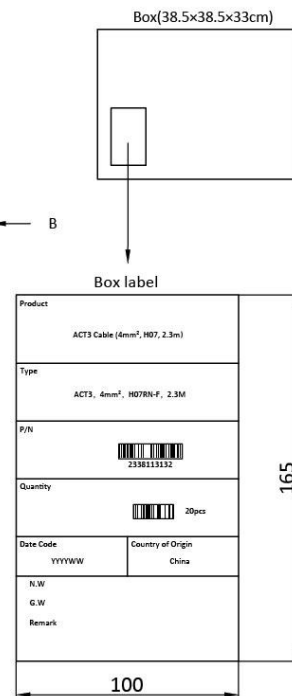
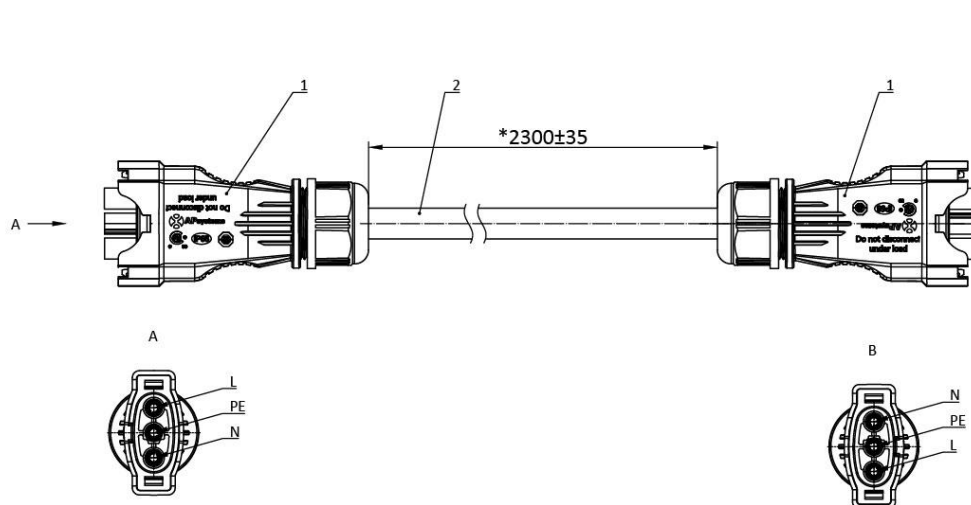
1. Comply with ROHS and REACH environmental protection requirements;
2. CABLE:-VDE- H07RN-F 3G2.5mm² KTL SU01048-6004 SAA101170EA GP-85-PCP 0.6/1.0KV HEAVY DUTY 450/750V WUXI ZHONGHUI WIRE & CABLE CO., LTD CCC A005618 60245 IEC66 (YCW) 3x2.5mm² 450/750V WUXI SHI ZHONGHUI XIANLAN YOUXIAN GONGSI
3. COUPLER FEMALE: ACT3-40A-F-AS;
4. The protection level of the wiring harness meets IP68, and the equivalent airtight test pressure is 27Kpa and maintained for 30s. And can pass the pressure and wet leak test
5. Harness withstand voltage test meets AC3000V, 60 seconds, leakage current ≤20mA
6. Wire harness wet leak test meets 1000V, 60 minutes, impedance > 500MΩ
7. The "*" size is the important size.
- ② 8. Clamping force requirement: Hold a 200g weight without dropping for 3 seconds.

2	AC Line	H07RN-F	1	3x2.5mm ²		
1	Connector(Female)	ACT3-40A-F-AS	2	Female,IP68		
Number	Name	Specifications	Materials	Quantity	Description	备注 Remark
TOLERANCES UNLESS OTHERWISE SPECIFIED			MATERIAL			 NAME ACT3 Cable (2.5mm ² , H07, 2.3m)
Cable dimensional tolerance: >0-100 ±5 >2500-3500 ±45 >100-500 ±10 >3500-4500 ±50 >500-900 ±15 >4500-5500 ±55 >900-1300 ±25 >5500-6500 ±80 >1300-1800 ±30 >6500-8000 ±90 >1800-2500 ±35 >8000-10000 ±100						
DWN.		UNIT	mm		DRAWING NO.	
CHK.		SHEET	1	OF	1	REV. 1.1

2338113132 ACT3 Cable (4mm², H07, 2.3m)



CHANGE NO.	CHANGE CONTENTS	REV.	NAME/DATE



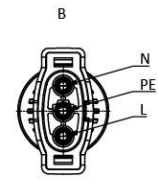
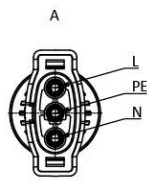
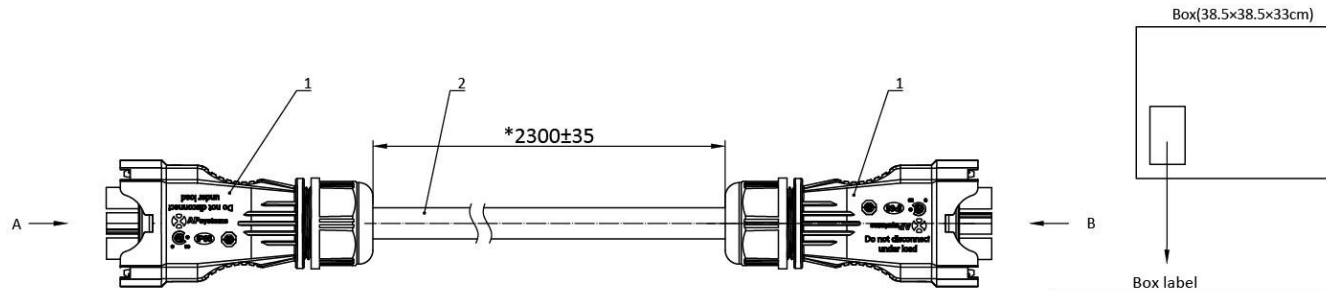
- Technical parameter:
1. Comply with ROHS and REACH environmental protection requirements;
 2. CABLE:-VDE- 40020334 H07RN-F 450/750V 3G4mm² KTL SU01048-6004 SAA202714 GP-85-PCP 0.6/L.0KV HEAVY DUTY CCC A005618 60245 IEC66 (YCW) 450/750V 3G4mm² WUXI ZHONGHUI WIRE & CABLE CO., LTD CE Three-phase;
 3. COUPLER FEMALE: ACT3-40A-F-AS;
 4. The protection level of the wiring harness meets IP68, and the equivalent airtight test pressure is 27Kpa and maintained for 30S. And can pass the pressure and wet leak test
 5. Harness withstand voltage test meets AC3000V, 60 seconds, leakage current ≤20mA
 6. Wire harness wet leak test meets 1000V, 60 minutes, impedance > 500MΩ
 7. The "*" size is the important size.
 8. Clamping force requirement: Hold a 200g weight without dropping for 3 seconds.

2	AC Line	H07RN-F	1	3C×4mm ²		
1	AC Connector(Female)	ACT3-40A-F-AS	2	Female,IP68		
Number	Name	Specifications	Materials	Quantity	Description	备注
TOLERANCES UNLESS OTHERWISE SPECIFIED		MATERIAL		 NAME ACT3 Cable (4mm ² , H07, 2.3m)		
Cable dimensional tolerance: >0-100 ±5 >2500-3500 ±45 >100-500 ±10 >3500-4500 ±50 >500-900 ±15 >4500-5500 ±65 >900-1300 ±25 >5500-6500 ±80 >1300-1800 ±30 >6500-8000 ±90 >1800-2500 ±35 >8000-10000 ±100						
DWN.			UNIT	mm	DRAWING NO.	
CHK.			SHEET	1	OF	1
			REV.	1.0		

2338111132 ACT3 Cable (12AWG, TC-ER, 2.3m)



CHANGE NO.	CHANGE CONTENTS	REV.	NAME/DATE
①	Add Lifting Load Test	1.1	



Box label	
Product	ACT3 Cable (12AWG, TC-ER, 2.3m)
Type	ACT3, 12AWG, TC-ER, 2.3M
P/N	2338111132
Quantity	20pcs
Date Code	YYYYWW
Country of Origin	China
N.W	
G.W	
Remark	

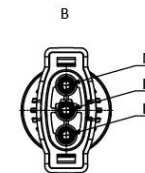
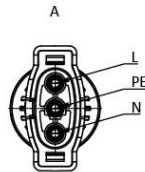
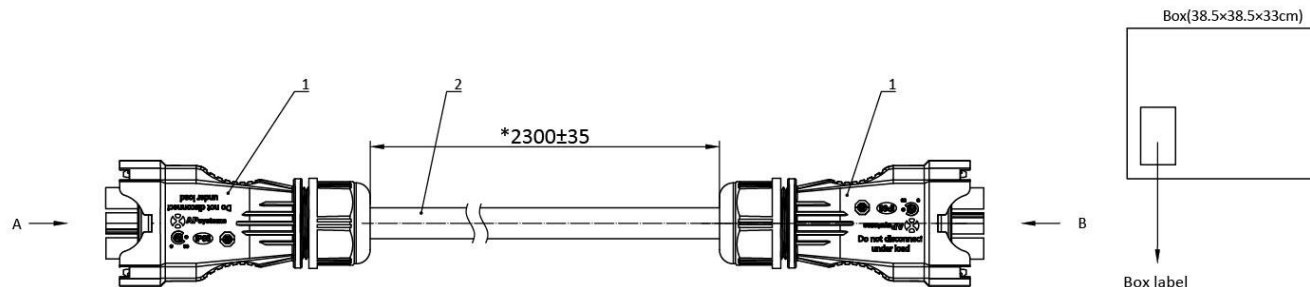
- Technical parameter:
1. Comply with ROHS and REACH environmental protection requirements;
 2. CABLE: E489601(U)L)TYPETC-ER XHHW-2 3C/12AWG 90°C WET ORDRY 600V FT4 DIRBURNRESCOLDBEND—C(U)L)TYPECIC9CDRY 600VFT1XLP3C/12AWGHWATEK CE;
 4. The protection level of the wiring harness meets IP68, and the equivalent airtight test pressure is 27Kpa and maintained for 30s. And can pass the pressure and wet leak test;
 5. Harness withstand voltage test meets AC3000V, 60 seconds, leakage current ≤20mA;
 6. Wire harness wet leak test meets 1000V, 60 minutes, impedance > 500MΩ;
 7. The "*" size is the important size;
 8. Clamping force requirement: Hold a 200g weight without dropping for 3 seconds. ①

2	AC Line	TC-ER	1	12AWG		
1	AC Connector(Female)	ACT3-40A-F-AS	2	Female,IP68		
Number	Name	Specifications	Materials	Quantity	Description	备注 Remark
TOLERANCES UNLESS OTHERWISE SPECIFIED		MATERIAL		 NAME ACT3 Cable (12AWG, TC-ER, 2.3m)		
Cable dimensional tolerance: >0-100 ±5 > 2500-3500 ±45 >100-500 ±10 > 3500-4500 ±50 >500-900 ±15 > 4500-5500 ±65 >900-1300 ±25 > 5500-6500 ±80 >1300-1800 ±30 > 6500-8000 ±90 >1800-2500 ±35 > 8000-10000 ±100		UNIT				
DWN.	mm					
CHK.	SHEET 1 OF 1	REV. 1.1				

2338118132 ACT3 Cable (10AWG, TC-ER, 2.3m)



CHANGE NO.	CHANGE CONTENTS	REV.	NAME/DATE
①	Add Lifting Load Test	1.1	



Box label	
Product	ACT3 Cable (10AWG, TC-ER, 2.3m)
Type	ACT3, 10AWG, TC-ER, 2.3M
P/N	2338118132
Quantity	20pcs
Date Code	YYYYWW
Country of Origin	China
N.W	
G.W	
Remark	

Technical parameter:

1. Comply with ROHS and REACH environmental protection requirements;
2. CABLE: E489601 (UL) TYPE TC-ER XHHW-2 3C/10AWG (3X6.0mm²) 90 WET OR DRY 600V FT4 DIR BUR SUN RES COLD BEND --- c(UL) TYPE C1C 90 DRY 600V FT1 XLPE 3C/10AWG HWATEK CE;
4. The protection level of the wiring harness meets IP68, and the equivalent airtight test pressure is 27Kpa and maintained for 30S. And can pass the pressure and wet leak test;
5. Harness withstand voltage test meets AC3000V, 60 seconds, leakage current ≤20mA;
6. Wire harness wet leak test meets 1000V, 60 minutes, impedance > 500MQ;
7. The "*" size is the important size;
8. Clamping force requirement: Hold a 200g weight without dropping for 3 seconds. ①

2	AC Line	TC-ER	1	10AWG		
1	AC Connector(Female)	ACT3-40A-F-AS	2	Female,JP68		
Number	Name	Specifications	Materials	Quantity	Description	备注
TOLERANCES UNLESS OTHERWISE SPECIFIED		MATERIAL		 NAME ACT3 Cable (10AWG, TC-ER, 2.3m)		
Cable dimensional tolerance: >0-100 ±5 > 2500-3500 ±45 >100-500 ±10 > 3500-4500 ±50 >500-900 ±15 > 4500-5500 ±65 >900-1300 ±25 > 5500-6500 ±90 >1300-1800 ±30 > 6500-8000 ±90 >1800-2500 ±35 > 8000-10000 ±100						
CHK.		SHEET 1 OF 1	UNIT mm	REV. 1.1	DRAWING NO.	

2062731007 AC3 Protective cover(male)

CHANGE NO.	CHANGE CONTENTS	REV.	NAME/DATE
①	Modify Packaging Specifications	1.1	

41.5

18.9

18

Packaging Diagram:

PE bag

Part Number:2062731007
 Product Name:AC3 Protective cover(male)
 Quantity:25Pcs ①
 Date Code: YYYYWW

Box(48×30×27.5cm)

Box label

Product AC3 Protective cover (male)		165
Type AC3-ACT3-M-D		
P/N 		
Quantity 2000pcs		
Date Code YYYYWW	Country of Origin China	
N.W G.W Remark		
100		

Technical parameter:

- The limit deviation of unmarked tolerance dimensions shall be in accordance with GB/T 14486-MT6 level;
- The parts are made of F1 weather resistant PPE+HIPS rubber black molding, and the waterproof ring is made of red F1 weather resistant silicone rubber molding. The surface of the product should be full, smooth, and uniform in color; No defects such as shrinkage marks, cracks, silver wires, etc;
- After trimming the sprue and overflow edge, the flash edge should be ≤ 0.3 and should not damage the body;
- Misalignment with the corresponding assembly joint surface shape ≤ 0.3 ;
- Use blank cartons for packaging, 2000pcs/box, WT9.4kg/box

TOLERANCES UNLESS OTHERWISE SPECIFIED x. ± 0.30 .x ± 0.20 .xx ± 0.10	MATERIAL -	 NAME AC3 Protective cover(male)
DWN.	UNIT mm	DRAWING NO.
CHK.	SHEET -- OF --	REV. 1.1

2301733005 AC3 Trunk Connector(2male-1female)

Packaging Diagram:

CHANGE NO.	CHANGE CONTENTS	REV.	NAME/DATE
①	Add Lifting Load Test	1.1	
②	Modify Packaging Specifications	1.1	
③	Add Logo	1.1	
④	CSA/UL current update to 25A from23A	1.1	

Technical parameter:

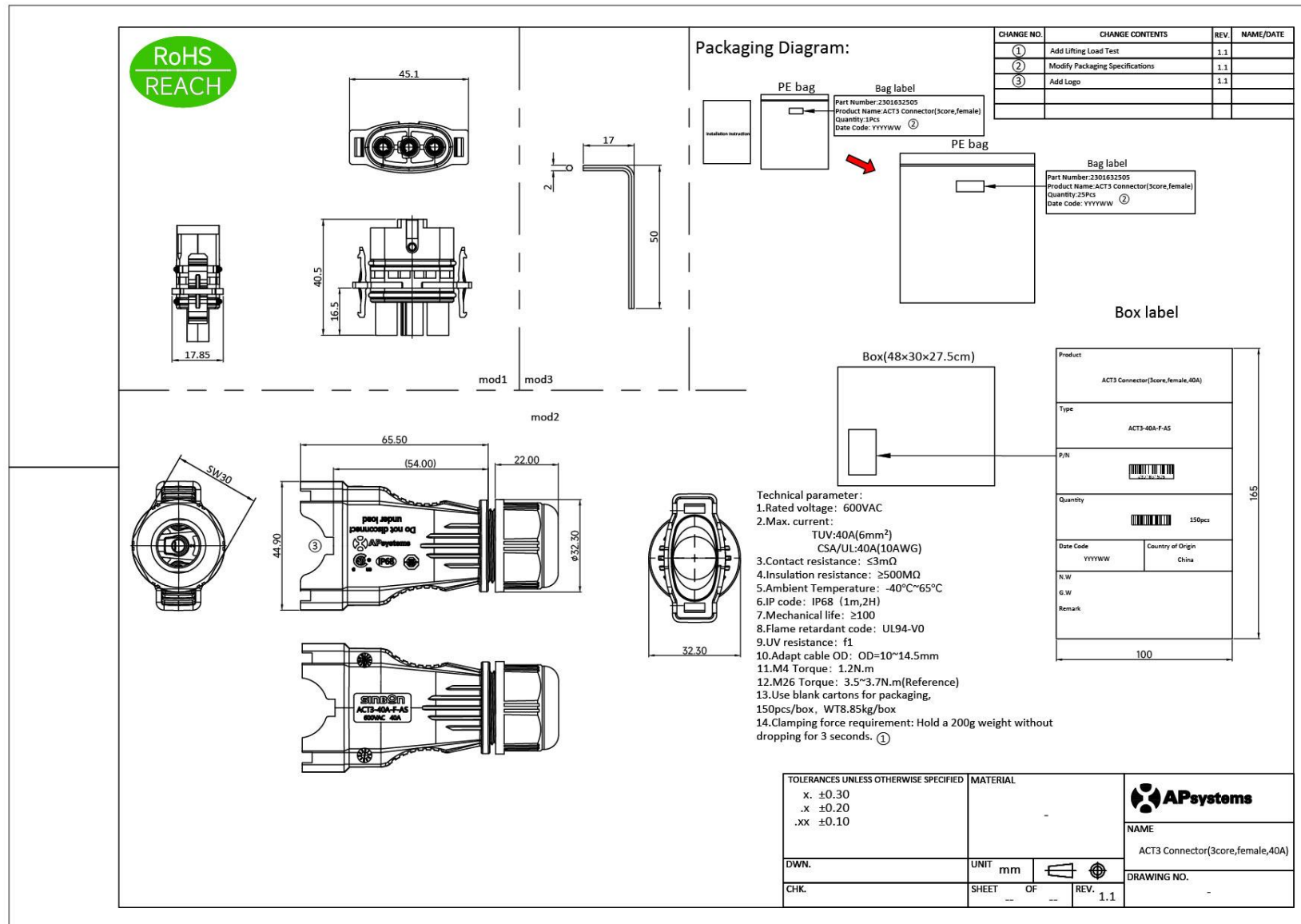
- Rated voltage: 600VAC
- Maximum current:
 - M-M40A: TUV:40A CSA/UL:40A
 - F-M25A: TUV:25A CSA/UL:25A ④
- Contact resistance: $\leq 3m\Omega$
- Dielectric Withstanding Voltage:1000V;
- Insulation resistance: $\geq 500M\Omega$
- Ambient Temperature: $-40^{\circ}C-65^{\circ}C$
- IP code: IP68 (1m,2H)
- Mechanical life: ≥ 100
- Flame retardant code: UL94-V0
- UV resistance: fl
- Use blank cartons for packaging, 200pcs/box, WT12.1kg/box
- Clamping force requirement: Hold a 200g weight without dropping for 3 seconds. ①

Box label

Product		165
AC3 Trunk Connector(2male-1female)		
Type		
AC-3-2M40A-F25A		
P/N		
Quantity		
200pcs		
Date Code	Country of Origin	100
YYYYWW	China	
N.W	G.W	
Remark		

TOLERANCES UNLESS OTHERWISE SPECIFIED	MATERIAL	
.x. ± 0.30 .X ± 0.20 .XX ± 0.10		
DWN.	UNIT mm	DRAWING NO.
CHK.	SHEET -- OF --	REV. 1.1

2301632505 ACT3 Connector(3core,female,40A)



2301432705 ACB3 Connector(3C,female,25A,two seals)

Packaging Diagram:

CHANGE NO.	CHANGE CONTENTS	REV.	NAME/DATE

Technical parameter:

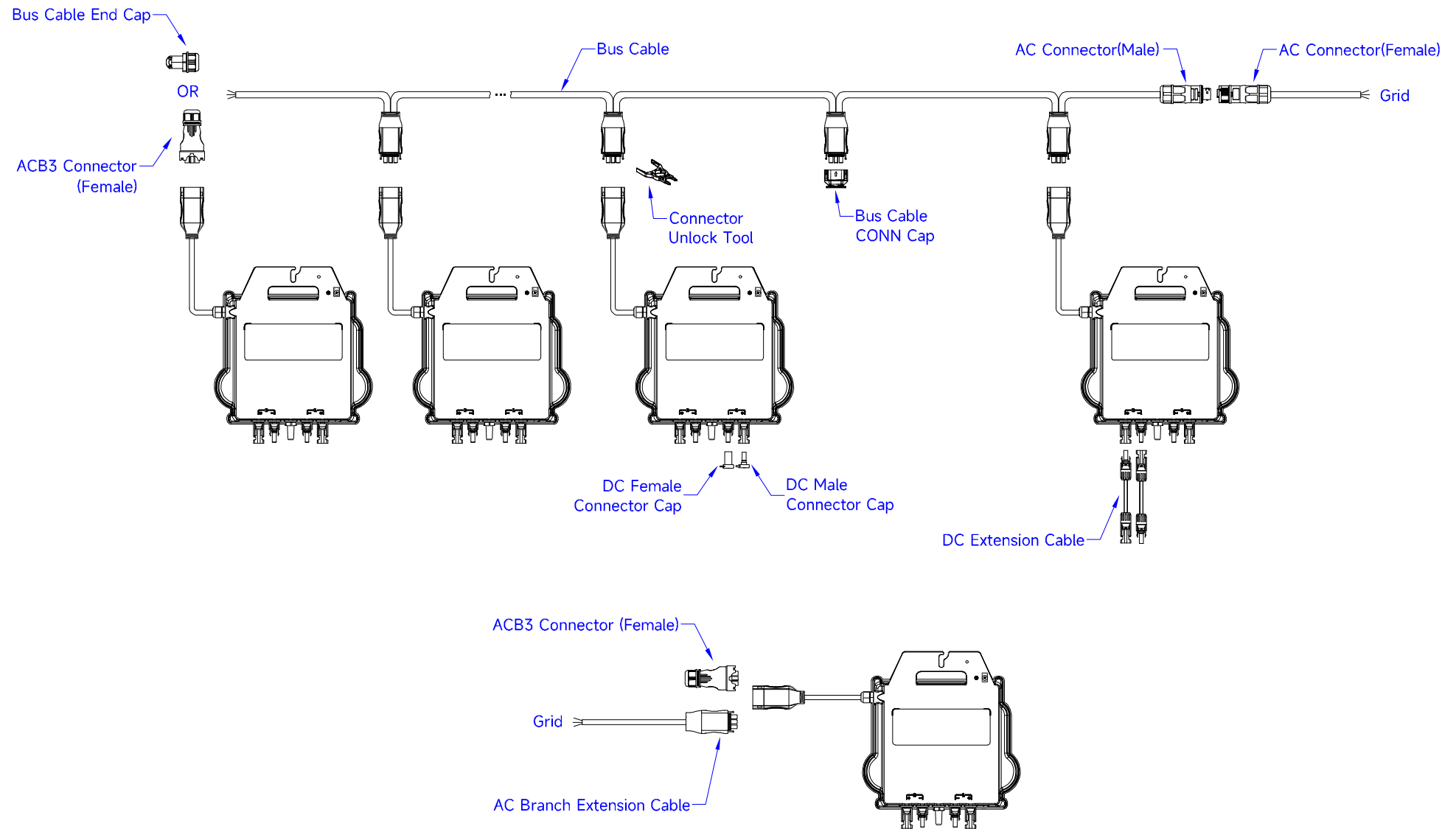
- Rated voltage: 600VAC
- Max. current: TUV:25A(2.5mm²)
CSA/UL:25A(14AWG)
- Contact resistance: ≤3mΩ
- Insulation resistance: ≥500MΩ
- Ambient Temperature: -40°C~65°C
- IP code: IP68 (1m,2H)
- Mechanical life: ≥100
- Salt spray test: 24H Neutral salt spr
- Flame retardant code: UL94-V0
- UV resistance: f1
- Adapt cable OD: OD=7~11.5mm
OD=10~14.5mm
- M4 Torque: 1.0N.m
- M26 Torque: 3.5~3.7N.m(Reference)
- Standard: UL6703 & PPP59015A
- Use blank cartons for packaging, 150pcs/box, WT8.79kg/box
- Clamping force requirement: Hold a 200g weight without dropping for 3 seconds.

Product ACB3 Connector(3C,female,25A,two seals)		 2301432705	 150pcs
Type ACB3-25A-F-A2(W)			
P/N			
Date Code YYYYWW	Country of Origin China		
N.W	G.W		
Remark			

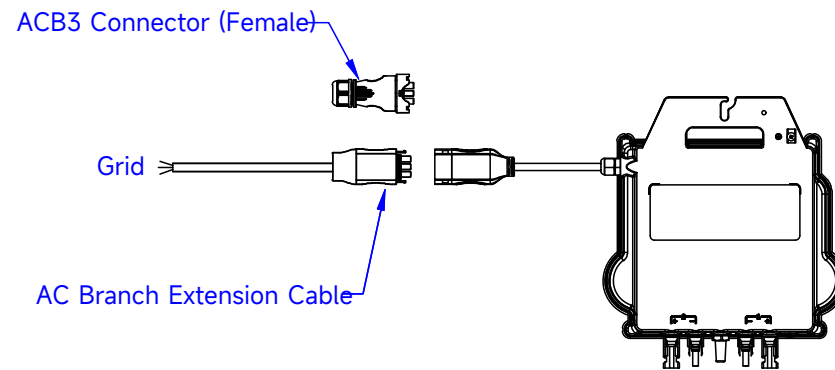
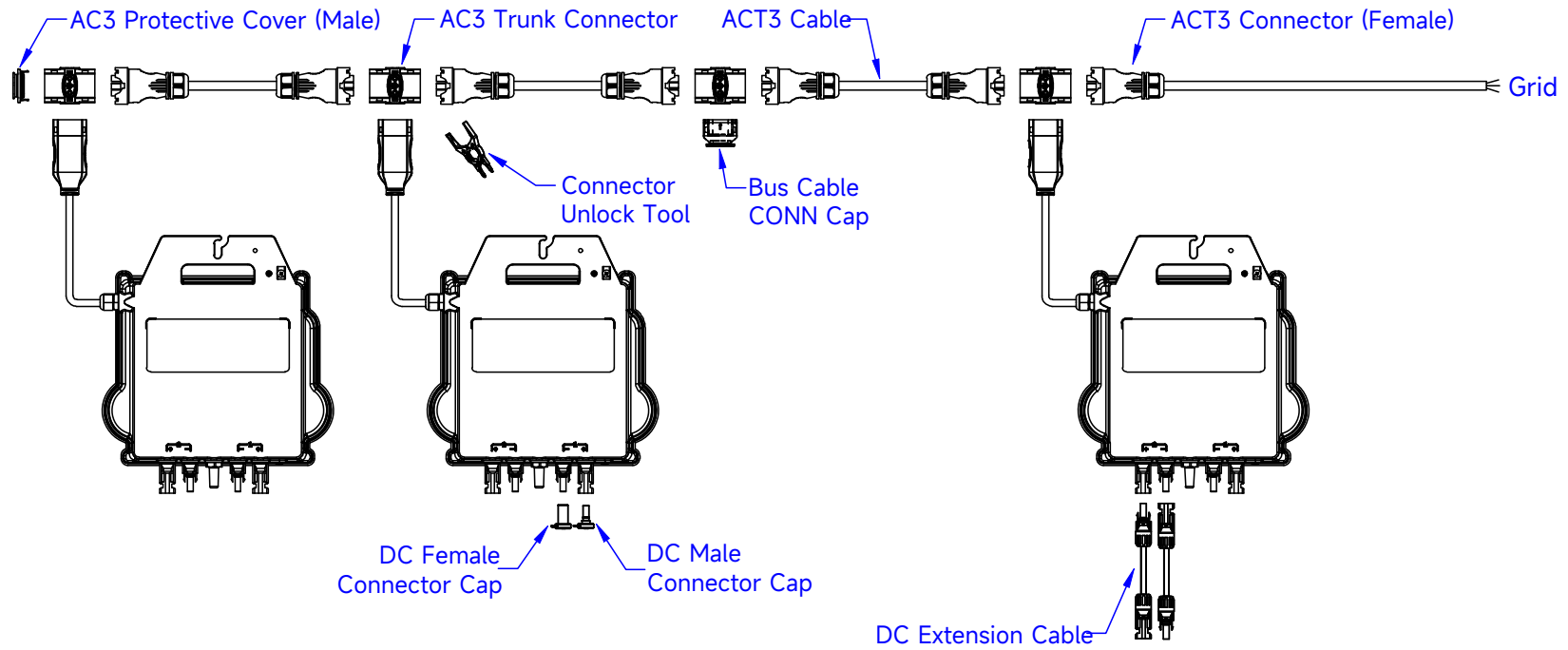
TOLERANCES UNLESS OTHERWISE SPECIFIED		MATERIAL		 NAME ACB3 Connector (3C,female,25A,two seals)	
x	±0.30				
.x	±0.20				
.xx	±0.10	DWN.		DRAWING NO.	
CHK.		SHEET	OF	REV.	1.0

DS3D Accessories

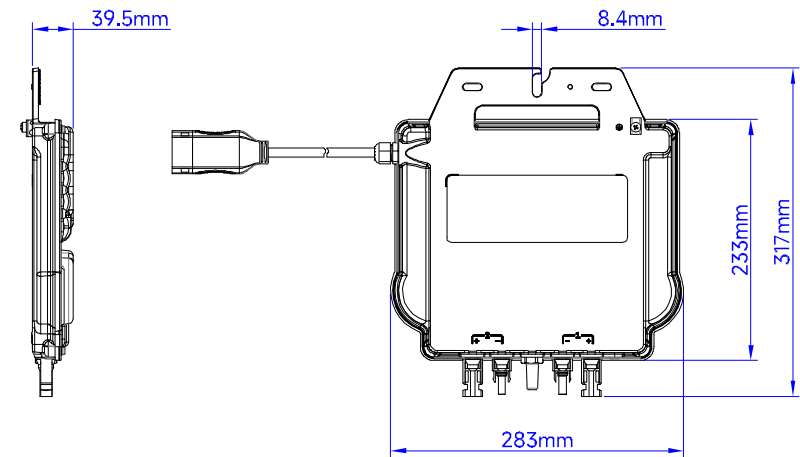
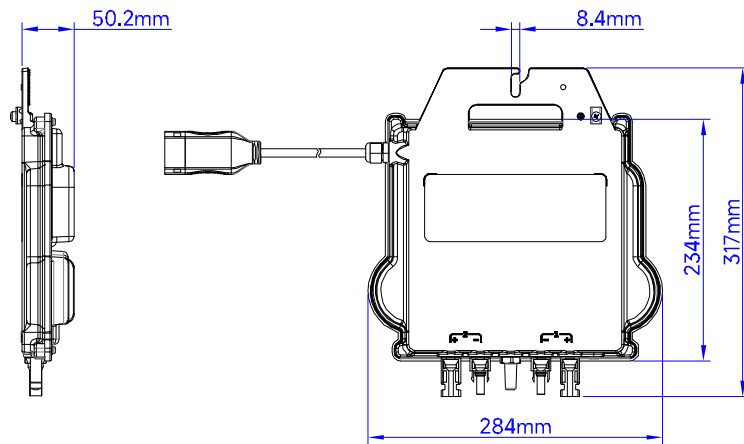
1. Wiring Diagram Y3



AC3



2. DS3D Dimensions



3. Accessories Summary

Y3

Region		Accessories										
		Bus Cable (Mandatory)	AC Branch Extension Cable (Optional)	Bus Cable End Cap (Mandatory)	Bus Cable CONN Cap (Optional)	Connector Unlock Tool (Mandatory)	DC Male Connector Cap (Optional)	DC Female Connector Cap (Optional)	AC Connector (Male) (Optional)	AC Connector (Female) (Optional)	DC Extension Cable (Optional)	ACB3 Connector (Female) (Optional)
APAC	Taiwan -TW: 121272	2322600403_Split Phase Bus Cable (10AWG, TC,2.4m)	2334075242_ Split Phase Br. Ext-cable (18AWG,TC, 2m) (See Pic. B)	2060700017_ 3-wire Bus Cable End Cap (See Pic. C)	2061702007_ Bus Cable Y-CONN Cap (See Pic. D)	2355000003_ Y3-DC Connector Unlock Tool (See Pic. E)	2060401006_ DC Male Connector Cap (MC4) (See Pic. F)	2060402006_ DC Female Connector Cap (MC4) (See Pic. G)	2300931212_ AC Connector (3 core, two seals, male) (See Pic. H)	2300932212_ AC Connector (3 core, two seals, female) (See Pic. I)	2310310274_1m DC Extension Cable (MC4)	2301432705_ ACB3 Connector (3C, female, 25A, two seals) (See Pic. O)
	Philippines -PH: 121074	2322301303_Split Phase Bus Cable (12AWG, TC,2m) (See Pic. A)	2310360214_2m DC Extension Cable (MC4)								2310360224_3m DC Extension Cable (MC4)	
	Sri Lanka -LK: 121045 Thailand Vietnam Indonesia	2322601503_Single Phase Bus Cable (4mm ² , PV07,2.4m)	2334076132_ Single Phase Br. Ext-cable (2.5mm ² ,1m) (See Pic. B)								2310370236_4m DC Extension Cable (MC4) (See Pic. J)	

Notes: The cables in this table are recommended by APsystems, and the O.D. and length of the cable can be customized according to customer needs.

AC3

Region		Accessories										
		ACT3 Cable (Mandatory)	AC Branch Extension Cable (Optional)	AC3 Protective Cover (male) (Mandatory)	Bus Cable CONN Cap (Optional)	Connector Unlock Tool (Mandatory)	DC Male Connector Cap (Optional)	DC Female Connector Cap (Optional)	AC3 Trunk Connector (Mandatory)	ACT3 Connector (Female) (Mandatory)	DC Extension Cable (Optional)	ACB3 Connector (Female) (Optional)
APAC	Taiwan -TW: 121272 Philippines -PH: 121074	2338118132_ ACT3 Cable (10AWG, TC-ER, 2.3m)	2334075242_ Split Phase Br. Ext-cable (18AWG, TC, 2m) (See Pic. B)	2062731007_ AC3 Protective Cover (male) (See Pic. L)	2061702007_ Bus Cable Y-CONN Cap (See Pic. D)	2355000003_ Y3-DC Connector Unlock Tool (See Pic. E)	2060401006_ DC Male Connector Cap (MC4) (See Pic. F)	2060402006_ DC Female Connector Cap (MC4) (See Pic. G)	2301733005_ ACT3 Trunk Connector (2male- 1female) (See Pic. M)	2301632505_ ACT3 Connector (3core, female, 40A) (See Pic. N)	2310310274_1m DC Extension Cable (MC4)	2301432705_ ACB3 Connector (3C, female, 25A, two seals) (See Pic. O)
	Sri Lanka -LK: 121045 Thailand Vietnam Indonesia	2338113132_ ACT3 Cable (4mm ² , H07,2.3m)	2334076132_ Single Phase Br. Ext-cable (2.5mm ² ,1m) (See Pic. B)								2338102613_ ACT3 Cable (2.5mm ² , H07, 2.3m) (See Pic. K)	


Notes: The cables in this table are recommended by APsystems, and the O.D. and length of the cable can be customized according to customer needs.

4. Physical Picture

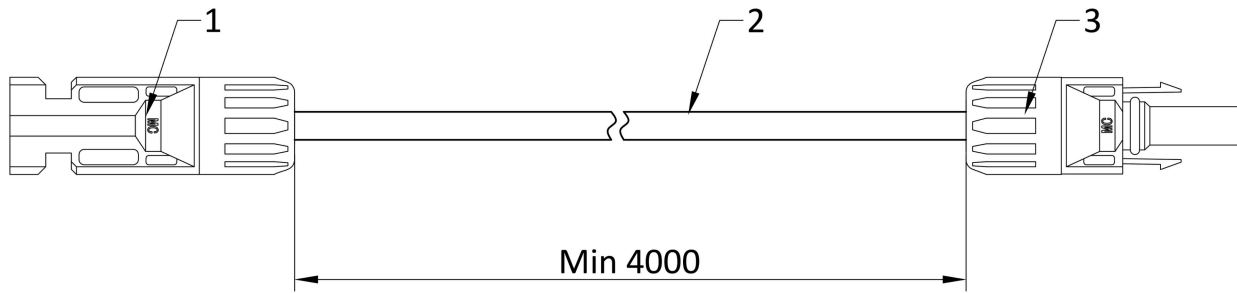
Bus Cable	AC Branch Extension Cable	Bus Cable End Cap	Bus Cable CONN Cap	Connector Unlock Tool	DC Male Connector Cap
 <p data-bbox="199 544 268 568">Pic. A</p>	 <p data-bbox="546 544 616 568">Pic. B</p>	 <p data-bbox="891 544 960 568">Pic. C</p>	 <p data-bbox="1238 544 1308 568">Pic. D</p>	 <p data-bbox="1585 544 1655 568">Pic. E</p>	 <p data-bbox="1935 544 2004 568">Pic. F</p>
DC Female Connector Cap	AC Connector (Male)	AC Connector (Female)	DC Extension Cable	ACT3 Cable	AC3 Protective Cover (male)
 <p data-bbox="199 1007 268 1031">Pic. G</p>	 <p data-bbox="546 1007 616 1031">Pic. H</p>	 <p data-bbox="891 1007 960 1031">Pic. I</p>	 <p data-bbox="1238 1007 1308 1031">Pic. J</p>	 <p data-bbox="1585 1007 1655 1031">Pic. K</p>	 <p data-bbox="1935 1007 2004 1031">Pic. L</p>
AC3 Trunk Connector	AC Connector (Male)	ACB3 Connector (Female)			
 <p data-bbox="199 1430 268 1453">Pic. M</p>	 <p data-bbox="546 1430 616 1453">Pic. N</p>	 <p data-bbox="891 1430 960 1453">Pic. O</p>			

5. Accessories information

2310370236_4m DC Extension Cable (MC4)



CHANGE NO.	CHANGE CONTENTS	REV.	NAME/DATE
①	Add alternative cable	0.1	YFT 2022-9-14



Min 4000

Notes:


- The DC cable and connector connect firmly, can sustain 100N-60s tension
- The pin concentric with plastic parts, ensure that there is no contradict phenomenon when male connector inserts into female connector

3	DC Connector (female)	MC4 PV-KBT4/6II	1	Female, STAUBLI	
①	DC Cable	FLEX-SOL-EVO-DX 4.0	1	4.0mm ² , TUV/UL certification	
		62930 IEC 131/PV	1	4.0mm ² /12AWG, TUV/UL certification	Alternative
1	DC Connector (male)	MC4 PV-KST4/6II	1	Male, STAUBLI	

NO.	NAME	TYPE	MAT.	QTY.	DESCRIPTION	REMARK
TOLERANCES UNLESS OTHERWISE SPECIFIED		MATERIAL				
> 0-100	±5	> 2500-3500	±45			
> 100-500	±10	> 3500-4500	±50			
> 500-900	±15	> 4500-5500	±65			
> 900-1300	±25	> 5500-6500	±80			
> 1300-1800	±30	> 6500-8000	±90			
> 1800-2500	±35	> 8000-10000	±100			

DWN. _____ UNIT mm

CHK. _____ SHEET -- OF -- REV. 0.1

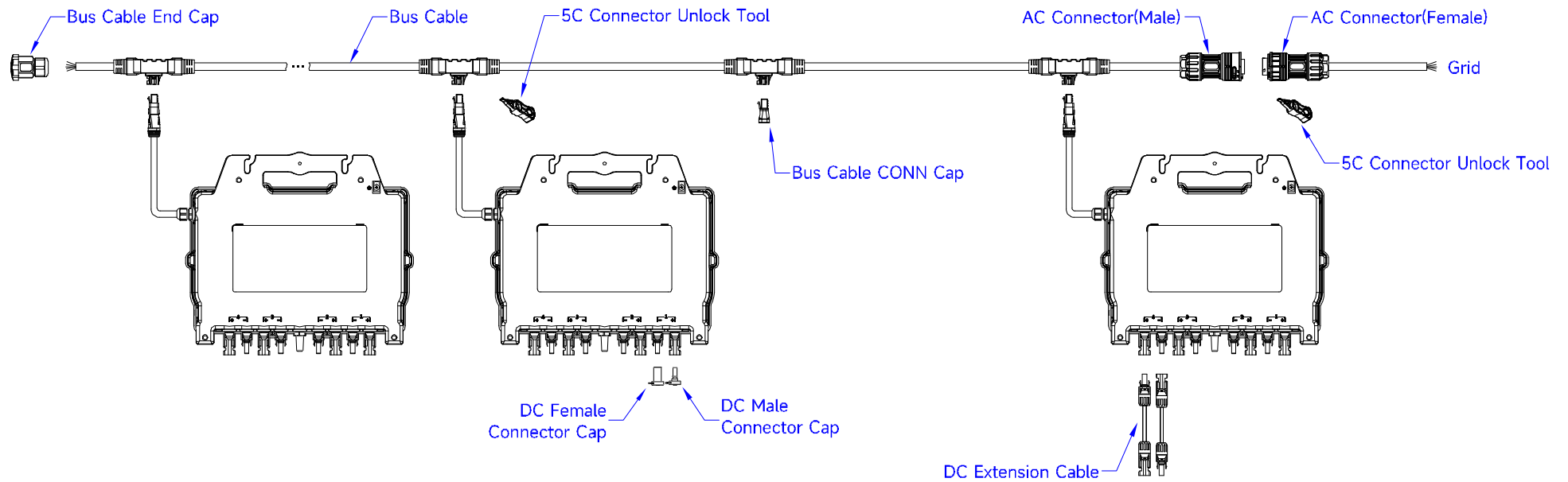


NAME
4m DC Extension Cable (MC4)

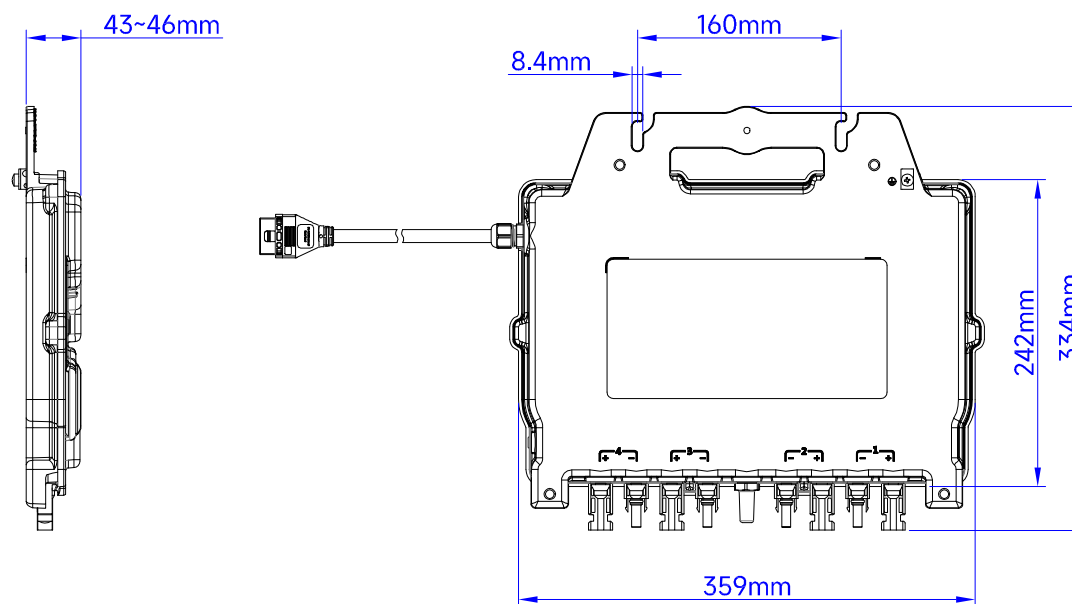
DRAWING NO. _____

QT2 Accessories

1. Wiring Diagram



2. QT2 Dimensions









3. Accessories Summary

Region		Accessories								
		Bus Cable (Mandatory)	Bus Cable End Cap (Mandatory)	Bus Cable CONN Cap (Optional)	5C Connector Unlock Tool (Mandatory)	DC Male Connector Cap (Optional)	DC Female Connector Cap (Optional)	AC Connector (Male) (Optional)	AC Connector (Female) (Optional)	DC Extension Cable (Optional)
APAC	Taiwan Philippines -230-PH: 145211 -400-PH: 146211	2322604502_3-phase 5C Bus Cable (12AWG,TC,2.4m)								
		2322904502_3-phase 5C Bus Cable (12AWG,TC,4.6m)								
		2322609202_3-phase 5C Bus Cable (10AWG,TC,2.4m)								2310310274_1m DC Extension Cable (MC4)
		2322909202_3-phase 5C Bus Cable(10AWG,TC,4.6m) (See Pic. A)	2062050012_5C Bus Cable End Cap (Two seals) (See Pic. B)	2061252032_5-wire Bus Cable T-CONN Cap (See Pic. C)	2353000002_5C Connector Unlock Tool (See Pic. D)	2060401006_DC Male Connector Cap (MC4) (See Pic. E)	2060402006_DC Female Connector Cap (MC4) (See Pic. F)	2301511002_ AC Connector (5C,40A,male) (See Pic. G)	2301512002_ AC Connector (5C,40A,female) (See Pic. H)	2310360214_2m DC Extension Cable (MC4)
	Sri Lanka Thailand -THA: 124061 Vietnam Indonesia	2322604802_3-phase 5C Bus Cable (2.5mm ² ,H07,2.4m)								2310360224_3m DC Extension Cable (MC4)
		2322900902_3-phase 5C Bus Cable (2.5mm ² ,H07,4.6m)								2310370236_4m DC Extension Cable (MC4) (See Pic. I)
		2322609122_3-phase 5C Bus Cable (4mm ² ,H07,2.4m)								
		2322909102_3-phase 5C Bus Cable (4mm ² ,H07,4.6m) (See Pic. A)								

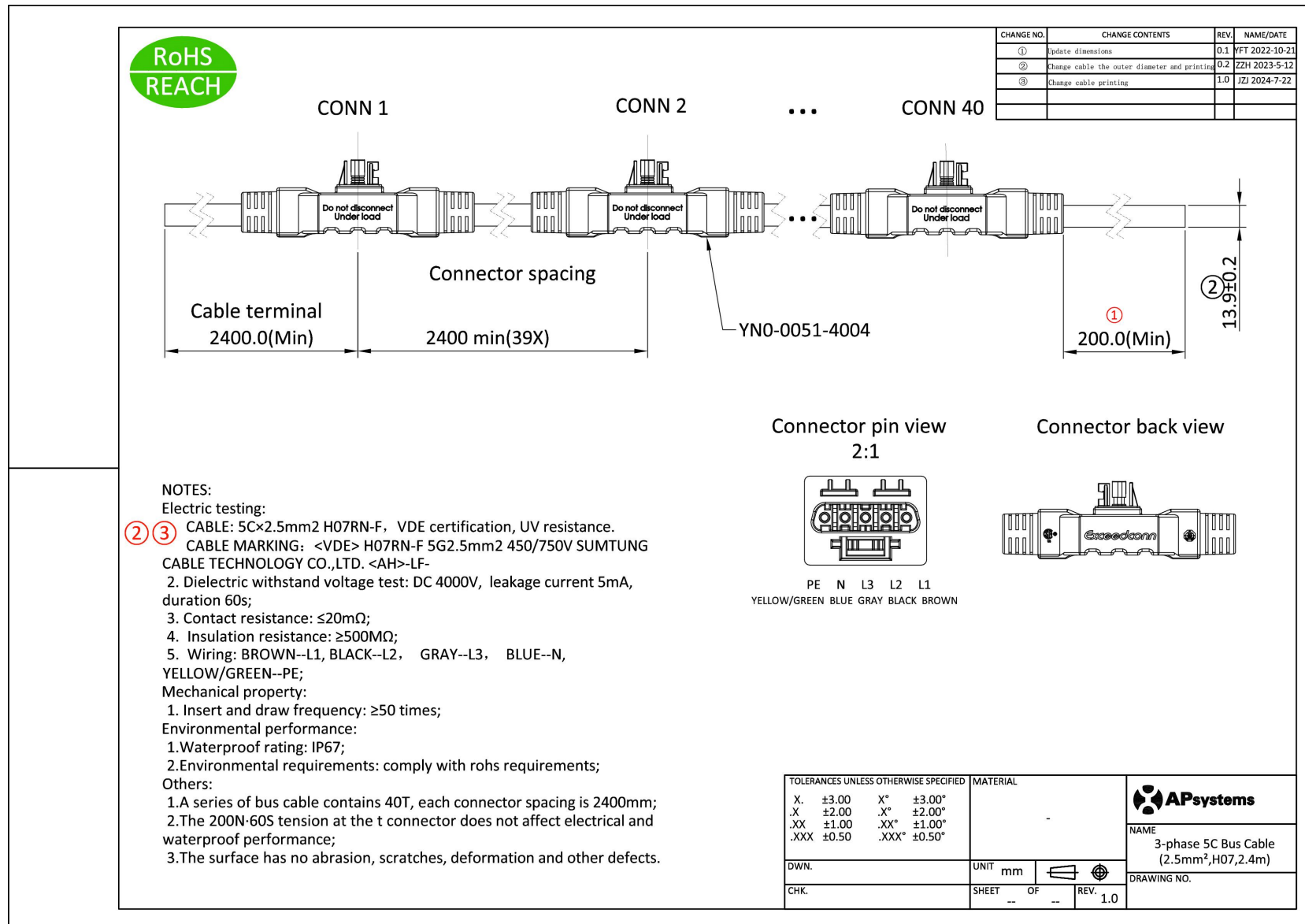
Notes: The cables in this table are recommended by APsystems, and the O.D. and length of the cable can be customized according to customer needs.

4. Physical Picture

Bus Cable	Bus Cable End Cap	Bus Cable CONN Cap	5C Connector Unlock Tool	DC Male Connector Cap	DC Female Connector Cap
					
Pic. A	Pic. B	Pic. C	Pic. D	Pic. E	Pic. F
AC Connector (Male)	AC Connector (Female)	DC Extension Cable			
					
Pic. G	Pic. H	Pic. I			

5. Accessories information

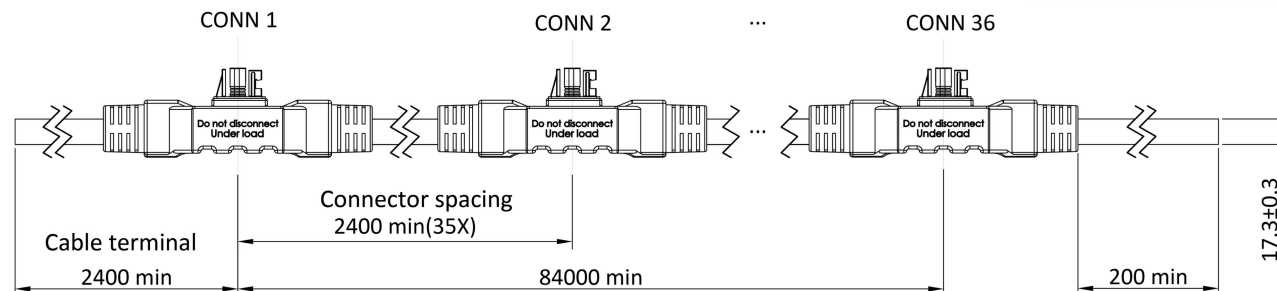
2322604802_3-phase 5C Bus Cable (2.5mm²,H07,2.4m)



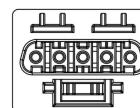
2322609122_3-phase 5C Bus Cable (4mm²,H07,2.4m)

RoHS REACH

CHANGE NO.	CHANGE CONTENTS	REV.	NAME/DATE

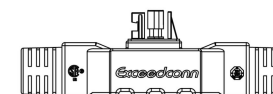


Connector pin view
2:1



PE N L3 L2 L1
YELLOW/GREEN BLUE GRAY BLACK BROWN

Connector back view



- Notes:
- Electric testing:
- Cable: 5C×4mm² H07RN-F, UV resistance.
Cable marking: 60245IEC66(YCW) 450/750V 5×4MM2 <VDE> H07RN-F 5G4MM2
SUMTUNG CABLE TECHNOLOGY CO.,LTD. -LF-
 - Dielectric withstand voltage test: DC 4000V, leakage current 5mA, duration 60s;
 - Working voltage rating: 600V;
 - Working current rating: 30A;
 - Contact resistance: ≤20mΩ;
 - Insulation resistance: ≥500MΩ;
 - Wiring: BROWN--L1, BLACK--L2, GRAY--L3, BLUE--N, YELLOW/GREEN--PE;
- Mechanical property:
- Insert and draw frequency: ≥50 times;
- Environmental performance:
- Waterproof rating: IP67;
 - Environmental requirements: comply with rohs requirements;
- Others:
- A series of bus cable contains 36T, each connector spacing is 2400mm;
 - The 200N-60S tension at the t connector does not affect electrical and waterproof performance;
 - The surface has no abrasion, scratches, deformation and other defects.

TOLERANCES UNLESS OTHERWISE SPECIFIED		MATERIAL	
X.	±3.00	X°	±3.00°
.X	±2.00	.X°	±2.00°
.XX	±1.00	.XX°	±.00°
.XXX	±0.50	.XXX°	±0.50°

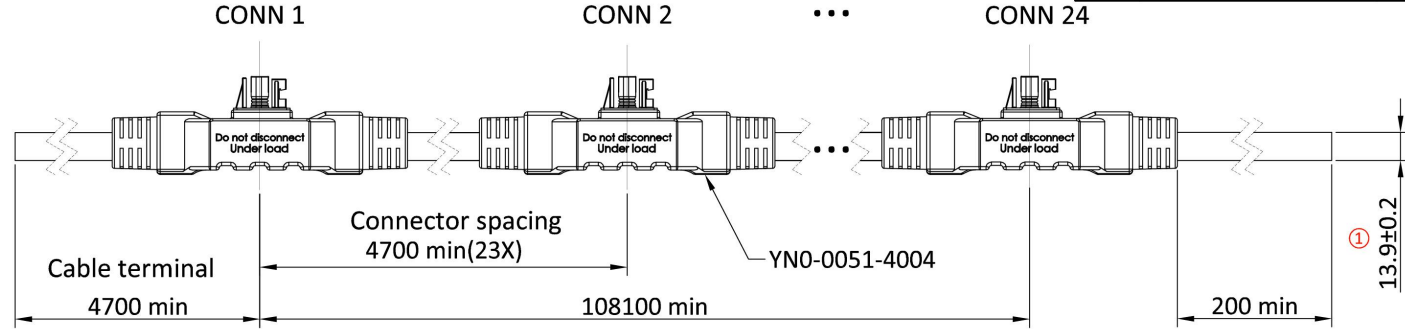
DWN.	UNIT	mm		
CHK.	SHEET	--	OF	--
	REV.			0.0

NAME
3-phase 5C Bus Cable (4mm ² ,H07,2.4m)
DRAWING NO.

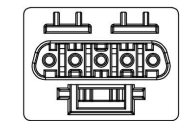
2322900902_3-phase 5C Bus Cable (2.5mm²,H07,4.6m)



CHANGE NO.	CHANGE CONTENTS	REV.	NAME/DATE
①	Change cable the outer diameter and printing	0.1	ZZH 2023/5/12
②	Change cable printing	1.0	JZJ 2024/7/22



Connector pin view
2:1



PE N L3 L2 L1
YELLOW/GREEN BLUE GRAY BLACK BROWN

Connector back view



NOTES:

Electric testing:

1. CABLE 5C×2.5mm² H07RN-F, VDE certification, UV resistance.
2. Dielectric withstand voltage test: DC 4000V, leakage current 5mA, duration 60s;
3. Contact resistance: ≤20mΩ;
4. Insulation resistance: ≥500MΩ;
5. Wiring: BROWN--L1, BLACK--L2, GRAY--L3, BLUE--N, YELLOW/GREEN--PE;

Mechanical property:

1. Insert and draw frequency: ≥50 times;

Environmental performance:

1. Waterproof rating: IP67;
2. Environmental requirements: comply with RoHS requirements;

Others:

1. A series of bus cable contains 24T, each connector spacing is 4700mm;
2. The 200N-60S tension at the t connector does not affect electrical and waterproof performance;
3. The surface has no abrasion, scratches, deformation and other defects.

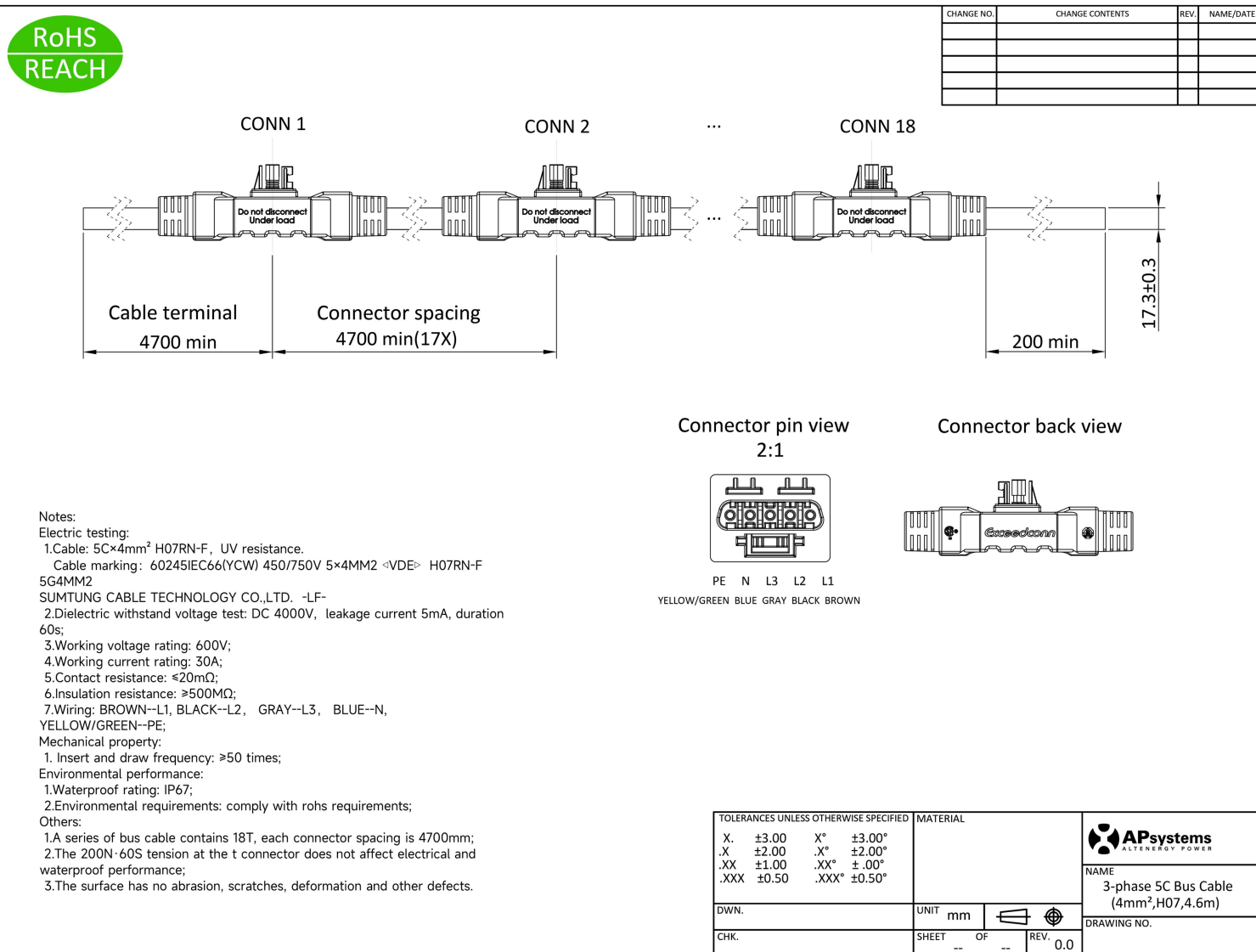
TOLERANCES UNLESS OTHERWISE SPECIFIED	MATERIAL
X. ±3.00 X° ±3.00°	-
.X ±2.00 .X° ±2.00°	
.XX ±1.00 .XX° ±1.00°	
.XXX ±0.50 .XXX° ±0.50°	



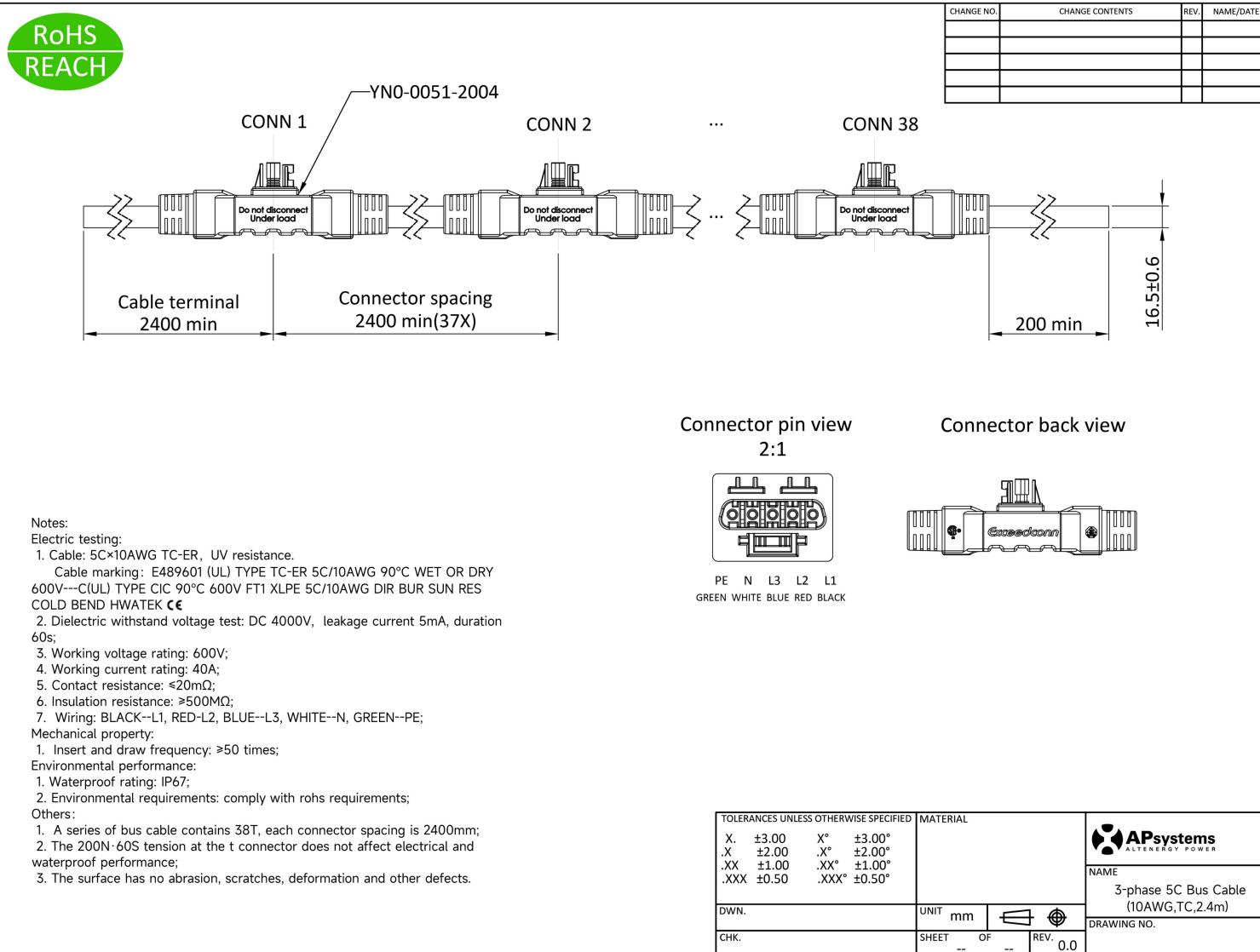
NAME
3-phase 5C Bus Cable
(2.5mm²,H07,4.6m)

DWN.	UNIT mm		REV. 1.0
CHK.	SHEET -- OF --	REV. 1.0	

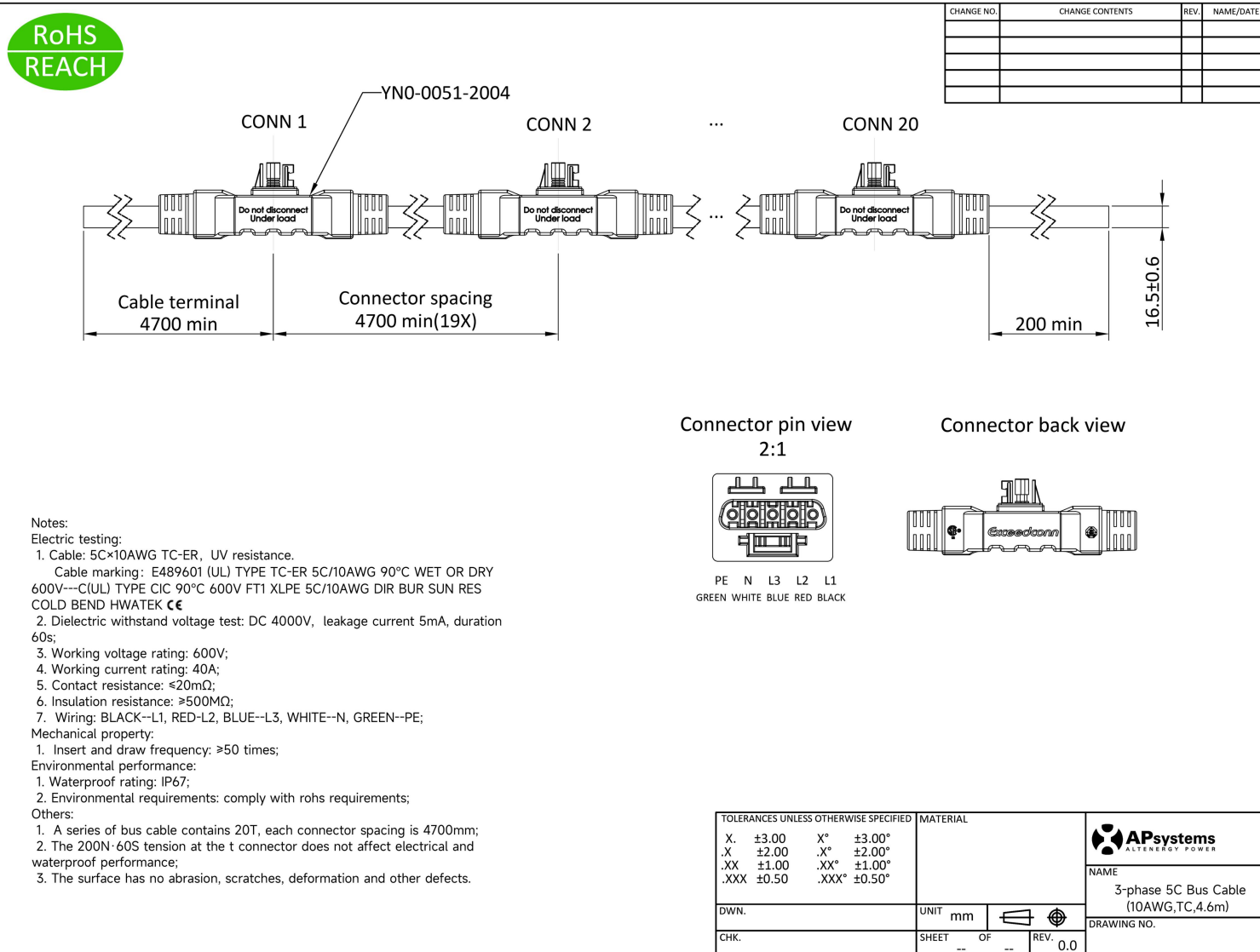
2322909102_3-phase 5C Bus Cable (4mm²,H07,4.6m)



2322609202_ 3-phase 5C Bus Cable(10AWG,TC, 2.4m)



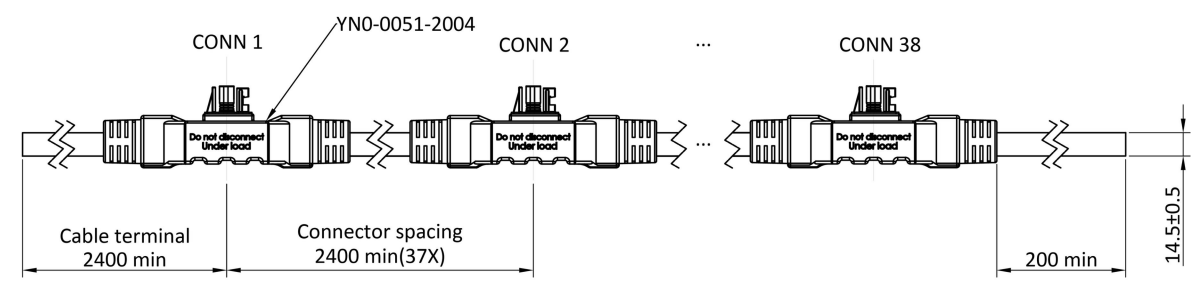
2322909202_3-phase 5C Bus Cable(10AWG,TC,4.6m)



2322604502_3-phase 5C Bus Cable(12AWG,TC,2.4m)

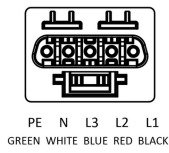


CHANGE NO.	CHANGE CONTENTS	REV.	NAME/DATE



- Notes:
- Electric testing:
- Cable: 5C×12AWG TC-ER, UV resistance.
Cable marking: E489601 (UL) TYPE TC-ER 5C/12AWG 90°C WET OR DRY 600V---C(UL) TYPE CIC 90°C 600V FT1 XLPE 5C/12AWG DIR BUR SUN RES COLD BEND HWATEK
 - Dielectric withstand voltage test: DC 4000V, leakage current 5mA, duration 60s;
 - Working voltage rating: 600V;
 - Working current rating: 30A;
 - Contact resistance: ≤20mΩ;
 - Insulation resistance: ≥500MΩ;
 - Wiring: BLACK--L1, RED-L2, BLUE--L3, WHITE--N, GREEN--PE;
- Mechanical property:
- Insert and draw frequency: ≥50 times;
- Environmental performance:
- Waterproof rating: IP67;
 - Environmental requirements: comply with rohs requirements;
- Others:
- A series of bus cable contains 38T, each connector spacing is 2400mm;
 - The 200N-60S tension at the t connector does not affect electrical and waterproof performance;
 - The surface has no abrasion, scratches, deformation and other defects.

Connector pin view
2:1



Connector back view



TOLERANCES UNLESS OTHERWISE SPECIFIED		MATERIAL	
X. ±3.00	X° ±3.00°		
.X ±2.00	.X° ±2.00°		
.XX ±1.00	.XX° ±1.00°		
.XXX ±0.50	.XXX° ±0.50°		
DWN.	UNIT mm		
CHK.	SHEET -- OF --	REV.	0.0

ALTERNATIVE POWER

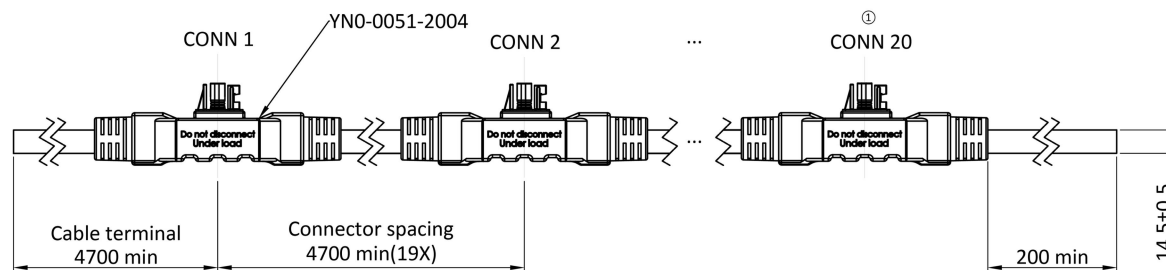
NAME
3-phase 5C Bus Cable
(12AWG,TC,2.4m)

DRAWING NO.

2322904502_3-phase 5C Bus Cable(12AWG,TC,4.6m)



CHANGE NO.	CHANGE CONTENTS	REV.	NAME/DATE
①	Change the number of Connector: 18→20	0.1	ZZH 2023/5/8



Notes:

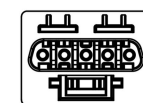
Electric testing:

1. Cable: 5C×12AWG TC-ER, UV resistance.
Cable marking: E489601 (UL) TYPE TC-ER 5C/12AWG 90°C WET OR DRY 600V---C(UL) TYPE CIC 90°C 600V FTI XLPE 5C/12AWG DIR BUR SUN RES COLD BEND HWATEK \llcorner
2. Dielectric withstand voltage test: DC 4000V, leakage current 5mA, duration 60s;
3. Working voltage rating: 600V;
4. Working current rating: 30A;
5. Contact resistance: $\leq 20\text{m}\Omega$;
6. Insulation resistance: $\geq 500\text{M}\Omega$;
7. Wiring: BLACK--L1, RED-L2, BLUE--L3, WHITE--N, GREEN--PE;

Mechanical property:

1. Insert and draw frequency: ≥ 50 times;
- Environmental performance:
1. Waterproof rating: IP67;
 2. Environmental requirements: comply with rohs requirements;
- Others:
1. A series of bus cable contains 20T, each connector spacing is 4700mm;
 2. The 200N·60S tension at the t connector does not affect electrical and waterproof performance;
 3. The surface has no abrasion, scratches, deformation and other defects.

Connector pin view
2:1



PE N L3 L2 L1
GREEN WHITE BLUE RED BLACK

Connector back view



TOLERANCES UNLESS OTHERWISE SPECIFIED		MATERIAL		
X.	± 3.00	X°	$\pm 3.00^\circ$	
.X	± 2.00	.X°	$\pm 2.00^\circ$	
.XX	± 1.00	.XX°	$\pm 1.00^\circ$	
.XXX	± 0.50	.XXX°	$\pm 0.50^\circ$	
DWN.	UNIT	mm		DRAWING NO.
CHK.	SHEET	OF	REV.	

2062050012_5C Bus Cable End Cap(Two seals)

RoHS
REACH

CHANGE NO.	CHANGE CONTENTS	REV.	NAME/DATE

Bag label

Part Number : 2062050012
 Product Name: 5C Bus Cable End Cap(Two seals)

Nut

Sealing
 Inner diameterØ15(yellow)
 Applicable cables:2.5mm²/12AWG/14AWG
 Inner diameterØ18(gray)
 Applicable cables:4mm²/10AWG

Plug body

Instructions

Instructions

Notes:

Mechanical:

- Cable and Connector Retention Force: ≥120N;
- Applicable cables:2.5mm², 4mm², 10AWG, 12AWG, 14AWG
- Sealing Inner diameter: Ø15/18mm;

Environmental:


- Waterproof Rate: IP68 1m 1H;
- Application Temperature: -40℃~+85℃;

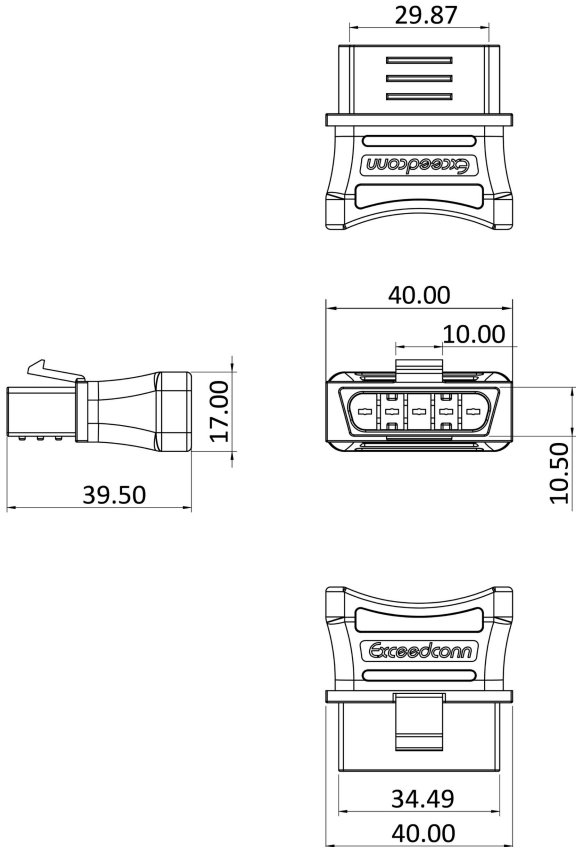
Others:

- Type No:EN050-1423-00

TOLERANCES UNLESS OTHERWISE SPECIFIED				MATERIAL	
X.	±3.00	X"	±3.00"	<p>APsystems ALTERNATE POWER</p> <p>NAME</p> <p>5C Bus Cable End Cap(Two seals)</p> <p>DRAWING NO.</p>	
.X	±2.00	.X"	±2.00"		
.XX	±1.00	.XX"	±1.00"		
.XXX	±0.50	.XXX"	±0.50"		
DWN.	UNIT	mm			
CHK.	SHEET	OF	REV.		

2061252032_5-wire Bus Cable T-CONN Cap








CHANGE NO.	CHANGE CONTENTS	REV.	NAME/DATE

Notes:

1. Type: MIH-1-01;
2. Waterproof Rate: IP67;
3. Mating Cycle: ≥50;
4. Part Retention Force: 100N;

TOLERANCES UNLESS OTHERWISE SPECIFIED	MATERIAL
X. ±2.00	-
.X ±1.00	
.XX ±0.64	
.XXX ±0.38	

	
NAME	
5-wire Bus Cable T-CONN Cap	
DRAWING NO.	

DWN.	UNIT	mm			REV. 0.0
------	------	----	---	---	----------

CHK.	SHEET	OF	REV.	0.0	-
------	-------	----	------	-----	---

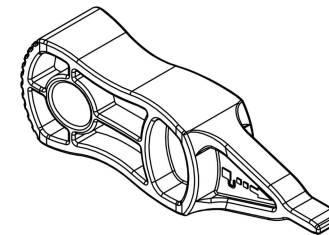
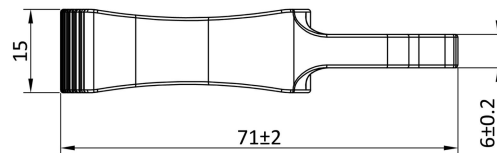
235300002_5C Connector unlock tool

RoHS
REACH


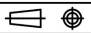
CHANGE NO.	CHANGE CONTENTS	REV.	NAME/DATE
①	Appearance change, name change.	1.0	ZH 2023/3/31



2.5±0.5



Technical Data:
1. Material: PBT
2. Color: Black

TOLERANCES UNLESS OTHERWISE SPECIFIED			MATERIAL	
X.	±1.00	X°	±3.00°	
.X	±0.50	.X°	±2.00°	
.XX	±0.20	.XX°	±.00°	
.XXX	±0.10	.XXX°	±0.50°	
DWN.			UNIT	mm
CHK.			SHEET	OF
			REV.	1.0
				
				

APsystems
ALTERNATIVE ENERGY POWER

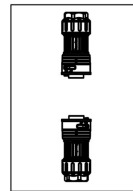
NAME
5C Connector Unlock Tool

DRAWING NO.

2301511002_AC Connector(5C,40A,male)



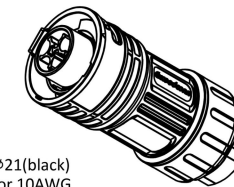
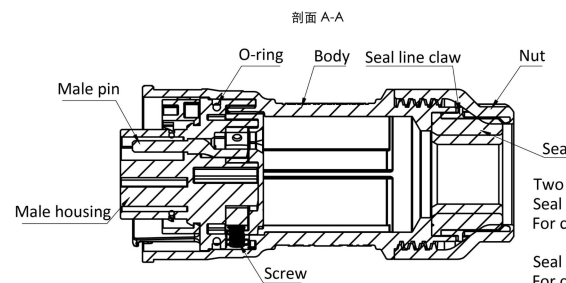
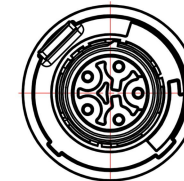
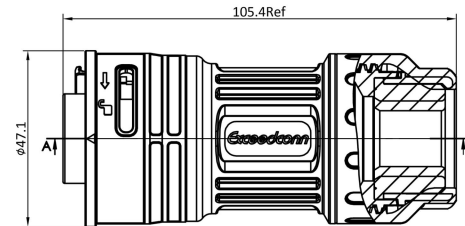
Instruction



Wrench



CHANGE NO.	CHANGE CONTENTS	REV.	NAME/DATE



Two seals
Seal inner diameter $\phi 21$ (black)
For cable size:4mm² or 10AWG

Seal inner diameter $\phi 16$ (grey)
For cable size:2.5mm² ,12AWG or 14AWG

Notes:

Electric testing:

- 1.Rated Voltage:600V;
- 2.Rated Current:40A;
- 3.Contact Resistance: $\leq 50m\Omega$;
- 4.Dielectric Withstanding Voltage:3000V
- 5.Insulation resistance: $\geq 500M\Omega$;

Mechanical property:

- 1.Mating Cycle: ≥ 500 次;
- 2.Applicable cables: 2.5mm²,4mm²,10AWG,12AWG,14AWG

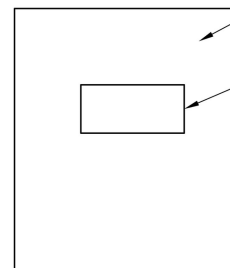
Environmental performance:

- 1.Waterproof Rate: IP67 1m-30min(After mating);
- 2.Operating Temperature: -40°C~105°C

Others:

- 1.Type No:EN200-2105-101-02

Packing



PE Bag

Bag label

Part Number : 2301511002
Product Name: AC Connector (5C,40A,male)

TOLERANCES UNLESS OTHERWISE SPECIFIED		MATERIAL	
.x	± 1.00	x	$\pm 3.00^\circ$
.x	± 0.50	.x	$\pm 2.00^\circ$
.xx	± 0.20	.xx	$\pm 1.00^\circ$
.xxx	± 0.10	.xxx	$\pm 0.50^\circ$

DWN.	UNIT	mm		
CHK.	SHEET	OF	REV.	0.2



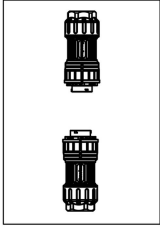
NAME
AC Connector (5C,40A,male)

DRAWING NO.


2301512002_AC Connector(5C,40A,female)

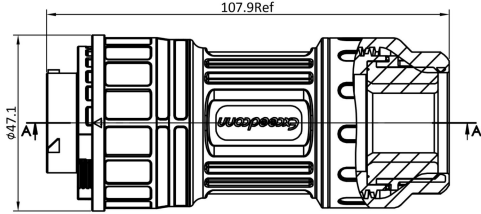
RoHS
REACH

Instruction

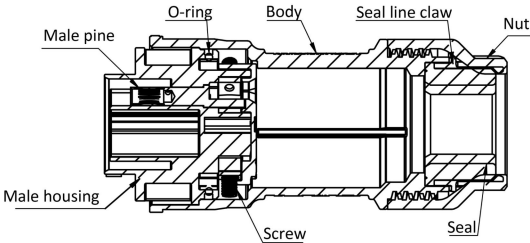


Wrench





Section A-A



CHANGE NO.	CHANGE CONTENTS	REV.	NAME/DATE

Notes:

Electric testing:

1. Rated Voltage: 600V;
2. Rated Current: 40A;
3. Contact Resistance: ≤50mΩ;
4. Dielectric Withstanding Voltage: 3000V
5. Insulation resistance: ≥500MΩ;

Mechanical property:

1. Mating Cycle: ≥500次;
2. Applicable cables: 2.5mm², 4mm², 10AWG, 12AWG, 14AWG.

Environmental performance:

1. Waterproof Rate: IP67 1m-30min(After mating);
2. Operating Temperature: -40°C~105°C

Others:

1. Type No: EN200-2205-101

Two seals

Seal inner diameter φ21(black)
For cable size: 4mm² or 10AWG

Seal inner diameter φ16(grey)
For cable size: 2.5mm², 12AWG or 14AWG

Packing

PE Bag

Bag label

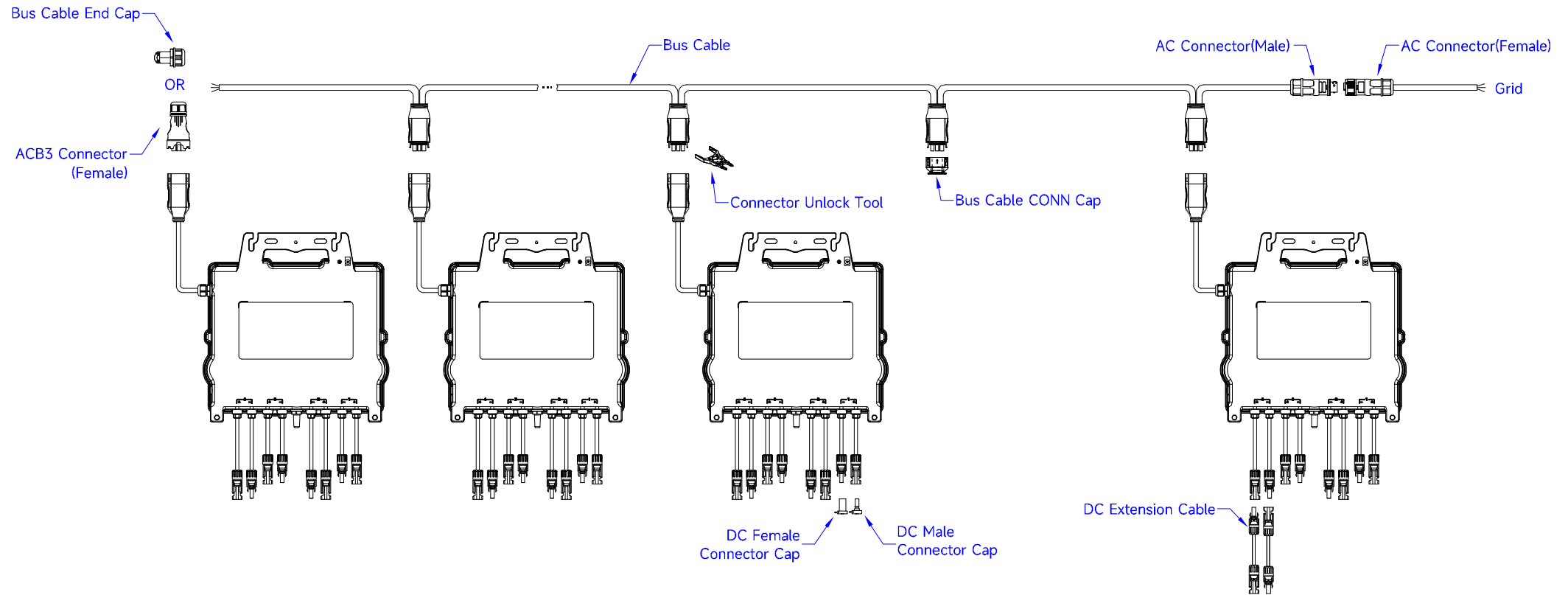
Part Number : 2301512002
Product Name: AC Connector (5C,40A,Female)

TOLERANCES UNLESS OTHERWISE SPECIFIED				MATERIAL	
X.	±1.00	X	±3.00°	-	
.X	±0.50	.X	±2.00°		
.XX	±0.20	.XX	±1.00°		
.XXX	±0.10	.XXX	±0.50°		
DWN.				UNIT	mm
CHK.				SHEET	OF
				REV.	

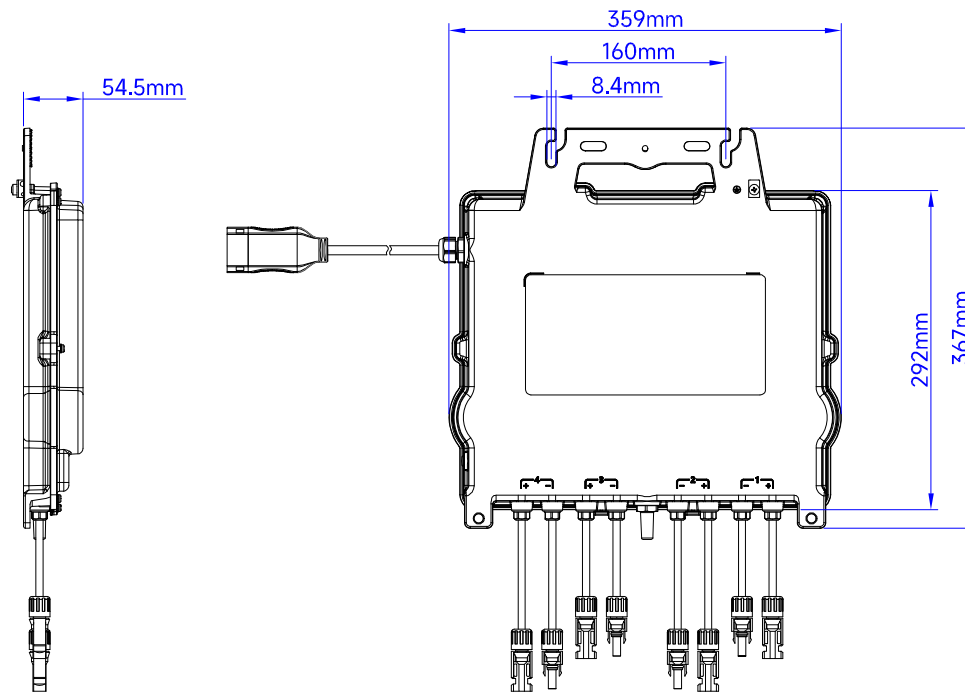
NAME	
AC Connector (5C,40A,female)	
DRAWING NO.	
-	

QT2D(3C) Accessories

1. Wiring Diagram



2. QT2D(3C) Dimensions



3. Accessories Summary

Region		Accessories									
		Bus Cable (Mandatory)	Bus Cable End Cap (Mandatory)	Bus Cable CONN Cap (Optional)	Connector Unlock Tool (Mandatory)	DC Male Connector Cap (Optional)	DC Female Connector Cap (Optional)	AC Connector (Male) (Optional)	AC Connector (Female) (Optional)	DC Extension Cable (Optional)	ACB3 Connector (Female) (Optional)
APAC	Taiwan Philippines	2322900713_ 3-phase Bus Cable (10AWG, TC, 4.6m) <i>(See Pic. A)</i>	2060700017_ 3-wire Bus Cable End Cap <i>(See Pic. B)</i>	2061702007_ Bus Cable Y-CONN Cap <i>(See Pic. C)</i>	2355000003_ Y3-DC Connector Unlock Tool <i>(See Pic. D)</i>	2060401006_ DC Male Connector Cap (MC4) <i>(See Pic. E)</i>	2060402006_ DC Female Connector Cap (MC4) <i>(See Pic. F)</i>	2300931212_AC Connector (3 core, two seals, male) <i>(See Pic. G)</i>	2300932212_AC Connector (3 core, two seals, female) <i>(See Pic. H)</i>	2310310274_1m DC Extension Cable (MC4)	2301432705_ ACB3 Connector (3C,female, 25A,two seals) <i>(See Pic. J)</i>
	Sri Lanka Thailand Vietnam Indonesia	2322900813_ 3-phase Bus Cable (4mm ² , H07, 4.6m) <i>(See Pic. A)</i>								2310360214_2m DC Extension Cable (MC4)	

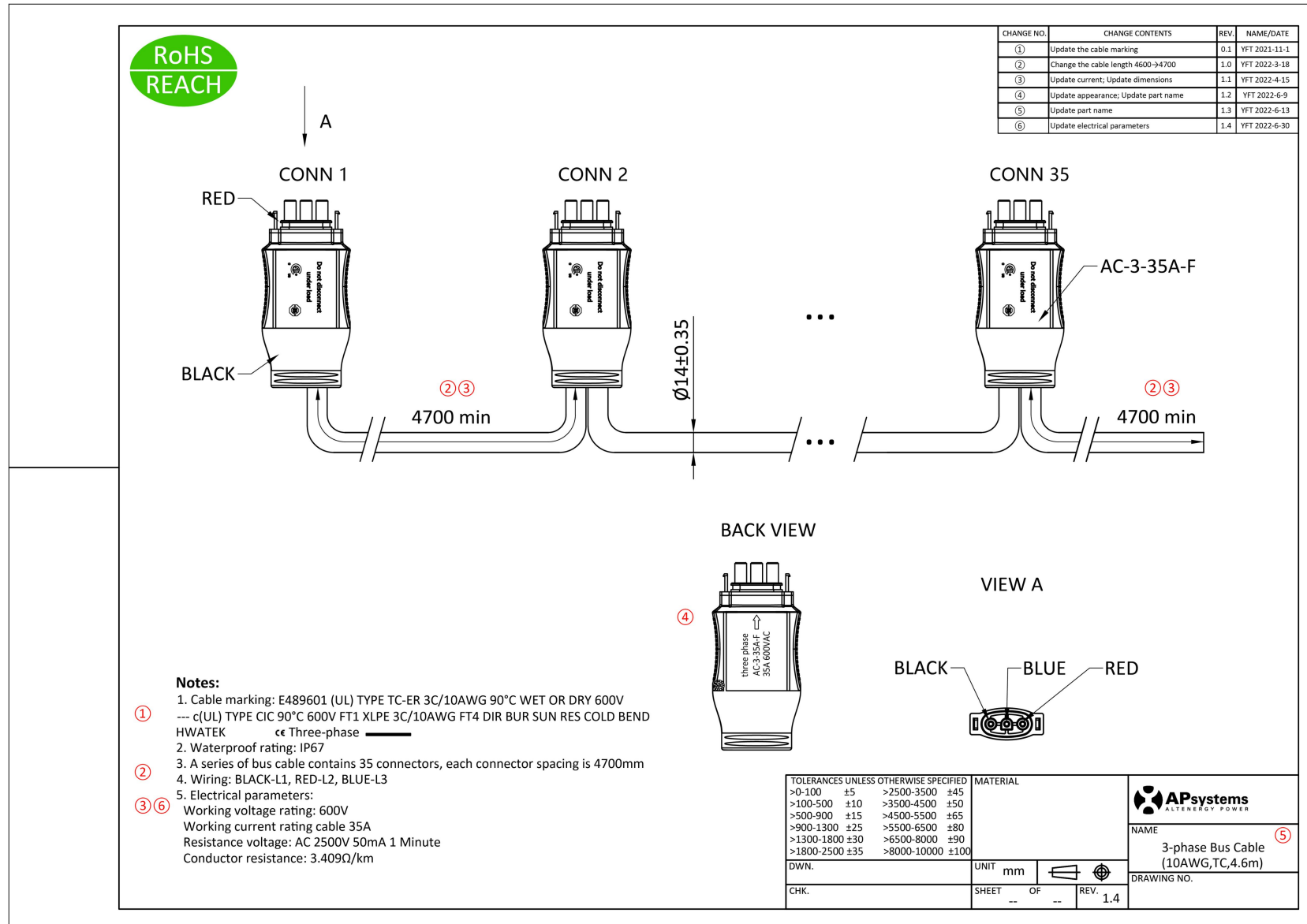
Notes: The cables in this table are recommended by APsystems, and the O.D. and length of the cable can be customized according to customer needs.

4. Physical Picture

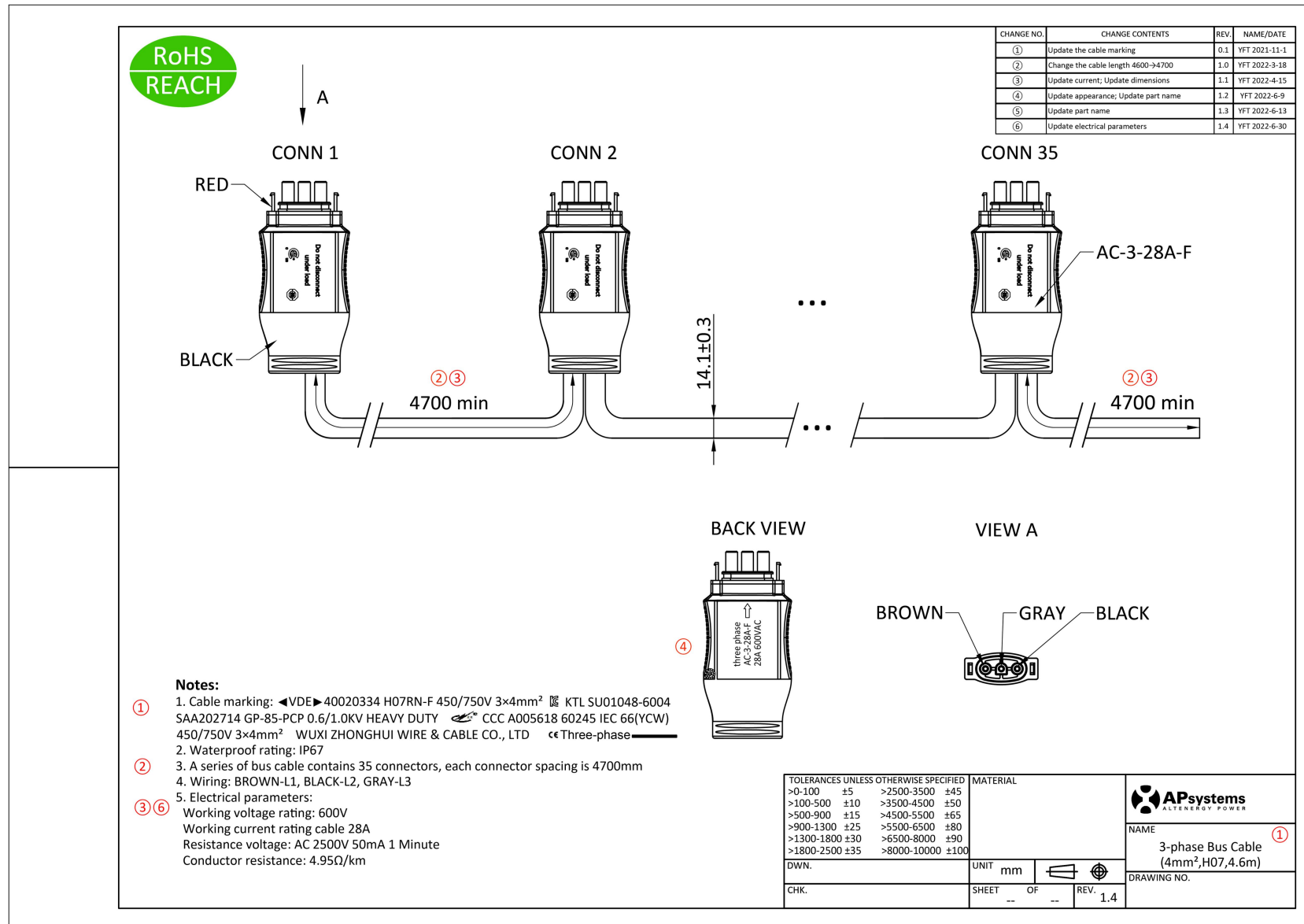
Bus Cable	Bus Cable End Cap	Bus Cable CONN Cap	Connector Unlock Tool	DC Male Connector Cap	DC Female Connector Cap
 <p data-bbox="206 635 273 657">Pic. A</p>	 <p data-bbox="555 635 622 657">Pic. B</p>	 <p data-bbox="902 635 969 657">Pic. C</p>	 <p data-bbox="1249 635 1317 657">Pic. D</p>	 <p data-bbox="1597 635 1664 657">Pic. E</p>	 <p data-bbox="1944 635 2011 657">Pic. F</p>
AC Connector (Male)	AC Connector (Female)	DC Extension Cable	ACB3 Connector (Female)		
 <p data-bbox="206 1098 273 1120">Pic. G</p>	 <p data-bbox="555 1098 622 1120">Pic. H</p>	 <p data-bbox="902 1098 969 1120">Pic. I</p>	 <p data-bbox="1249 1098 1317 1120">Pic. J</p>		

5. Accessories information

2322900713_3-phase Bus Cable(10AWG, TC,4.6m)



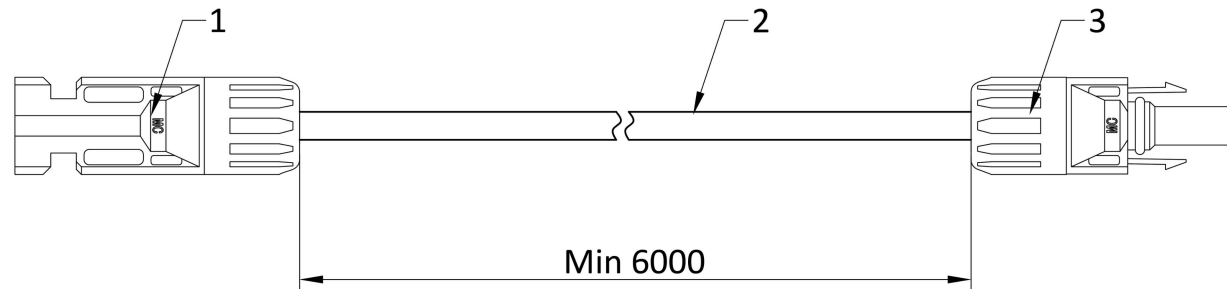
2322900813_3-phase Bus Cable(4mm²,H07,4.6m)



2310370246_6m DC Extension Cable (MC4)



CHANGE NO.	CHANGE CONTENTS	REV.	NAME/DATE
①	Add alternative cable	0.1	YFT 2022-9-14

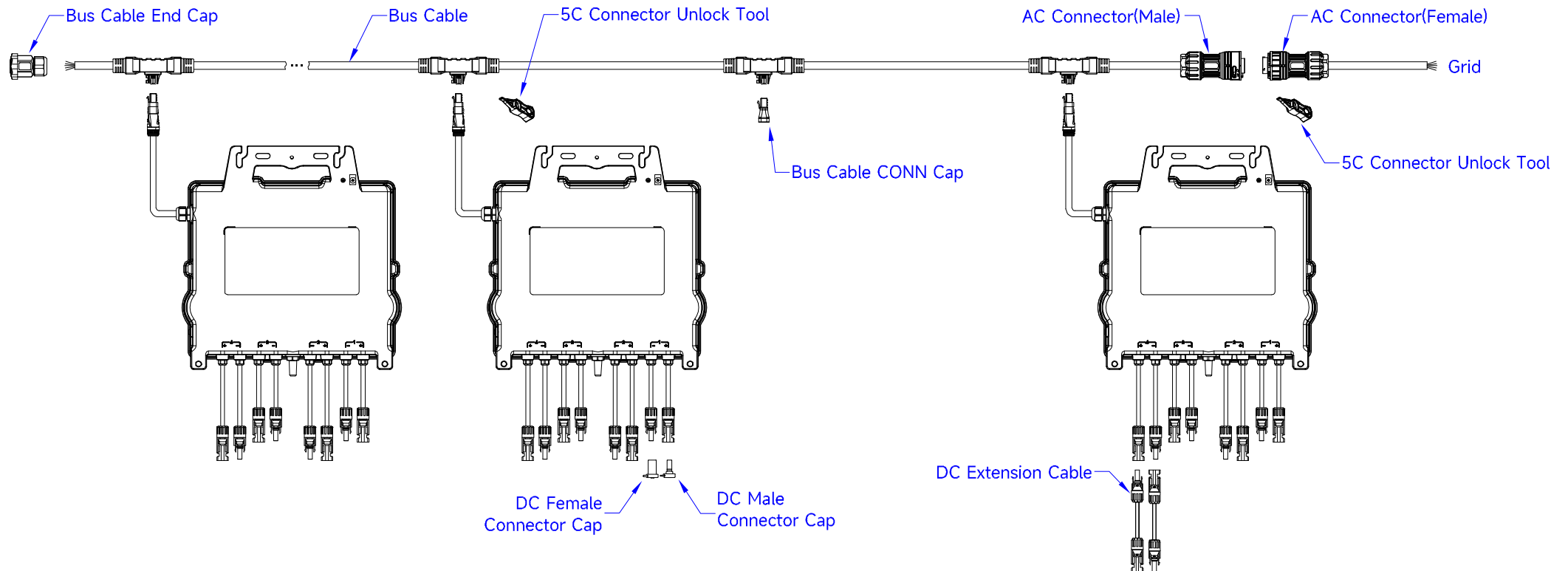


3	DC Connector (female)	MC4 PV-KBT4/6II		1	Female, STAUBLI	
① 2	DC Cable	FLEX-SOL-EVO-DX 4.0		1	4.0mm ² , TUV/UL certification	
		62930 IEC 131/PV		1	4.0mm ² /12AWG, TUV/UL certification	Alternative
1	DC Connector (male)	MC4 PV-KST4/6II		1	Male, STAUBLI	
NO.	NAME	TYPE	MAT.	QTY.	DESCRIPTION	REMARK
TOLERANCES UNLESS OTHERWISE SPECIFIED		MATERIAL		 NAME 6m DC Extension Cable (MC4)		
>0-100	±5	>2500-3500	±45			
>100-500	±10	>3500-4500	±50			
>500-900	±15	>4500-5500	±65			
>900-1300	±25	>5500-6500	±80			
>1300-1800	±30	>6500-8000	±90			
>1800-2500	±35	>8000-10000	±100			
DWN.	UNIT	mm		REV.	0.1	DRAWING NO.
CHK.	SHEET	--	OF	--		

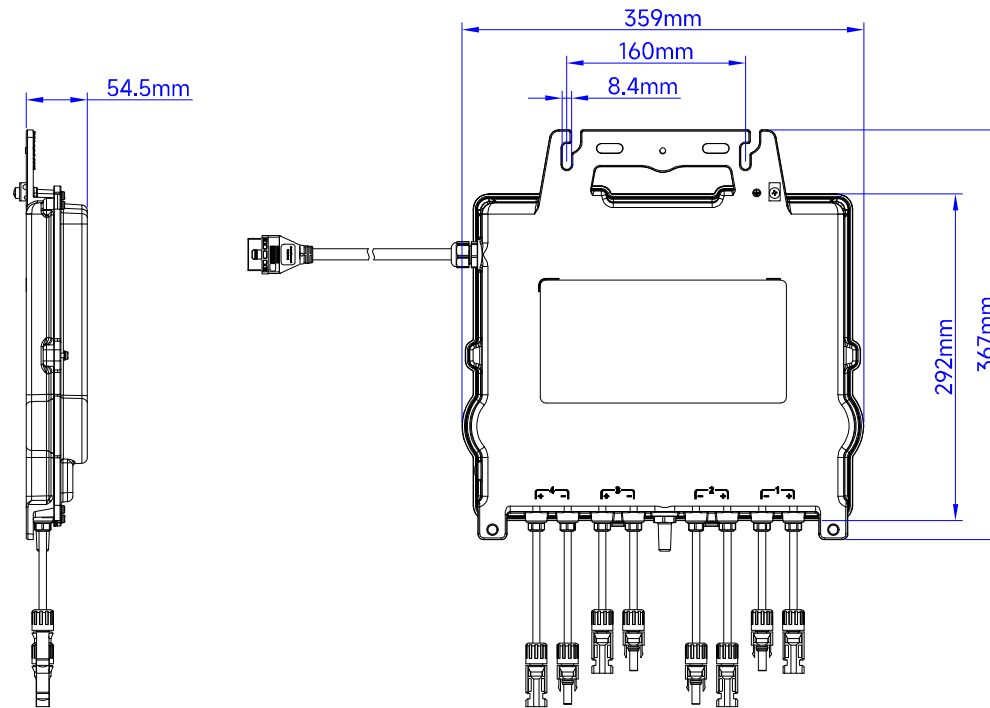
Notes:
 1. The DC cable and connector connect firmly, can sustain 100N-60s tension
 2. The pin concentric with plastic parts, ensure that there is no contradict phenomenon when male connector inserts into female connector

QT2D(5C) Accessories

1. Wiring Diagram



2. QT2D(5C) Dimensions











3. Accessories Summary

Region		Accessories								
		Bus Cable (Mandatory)	Bus Cable End Cap (Mandatory)	Bus Cable CONN Cap (Optional)	5C Connector Unlock Tool (Mandatory)	DC Male Connector Cap (Optional)	DC Female Connector Cap (Optional)	AC Connector (Male) (Optional)	AC Connector (Female) (Optional)	DC Extension Cable (Optional)
APAC	Taiwan Philippines	2322904502_3-phase 5C Bus Cable (12AWG,TC,4.6m) 2322909202_3-phase 5C Bus Cable(10AWG,TC,4.6m) (See Pic. A)	2062050012_5C Bus Cable End Cap (Two seals) (See Pic. B)	2061252032_5-wire Bus Cable T-CONN Cap (See Pic. C)	2353000002_5C Connector Unlock Tool (See Pic. D)	2060401006_DC Male Connector Cap (MC4) (See Pic. E)	2060402006_DC Female Connector Cap (MC4) (See Pic. F)	2301511002_ AC Connector (5C,40A,male) (See Pic. G)	2301512002_ AC Connector (5C,40A,female) (See Pic. H)	2310310274_1m DC Extension Cable (MC4)
	Sri Lanka Thailand Vietnam Indonesia Malaysia -H-MYS: 147217	2322900902_3-phase 5C Bus Cable (2.5mm ² ,H07,4.6m) 2322909102_3-phase 5C Bus Cable (4mm ² ,H07,4.6m) (See Pic. A)								2310360214_2m DC Extension Cable (MC4)

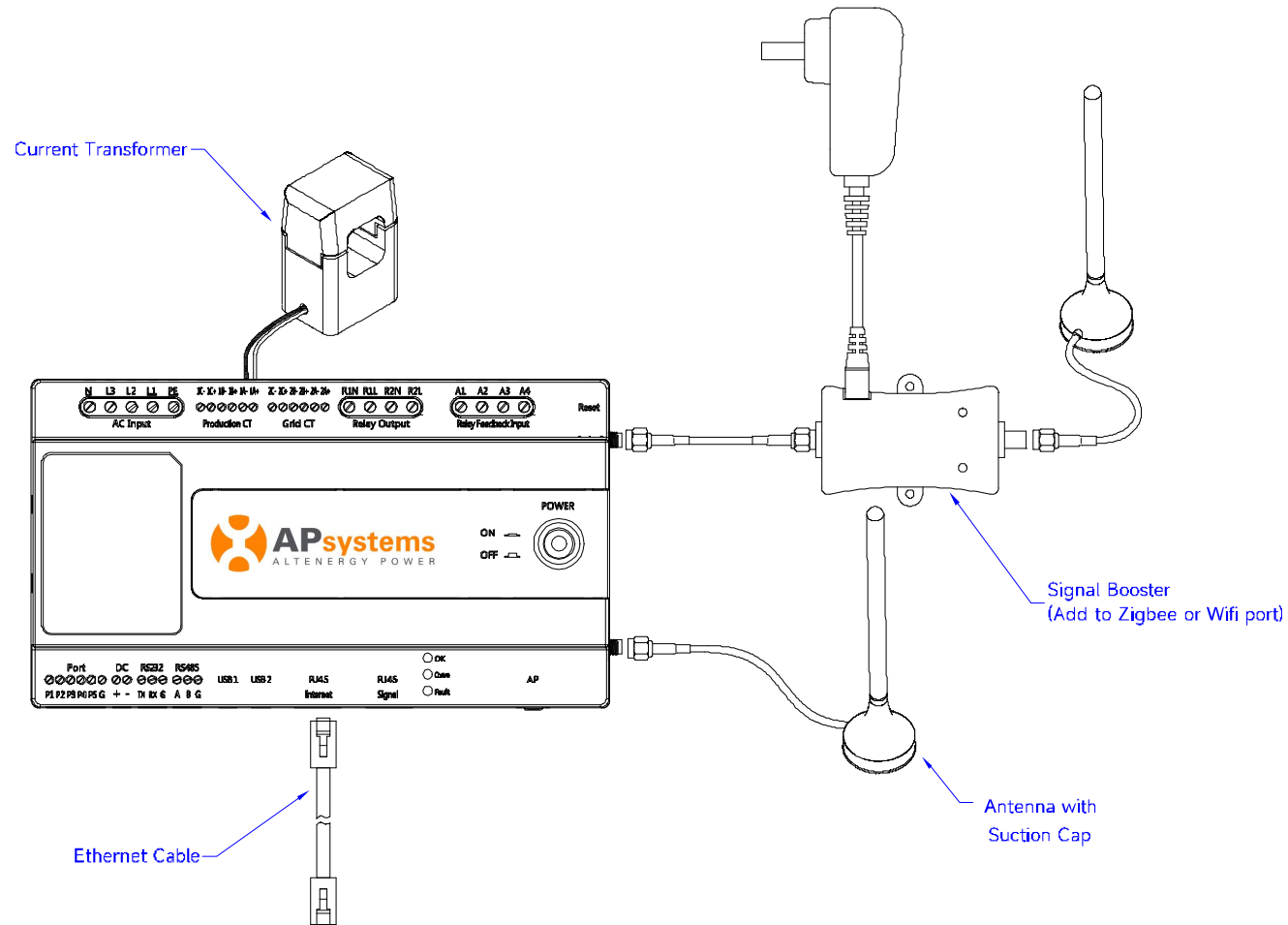
Notes: The cables in this table are recommended by APsystems, and the O.D. and length of the cable can be customized according to customer needs.

4. Physical Picture

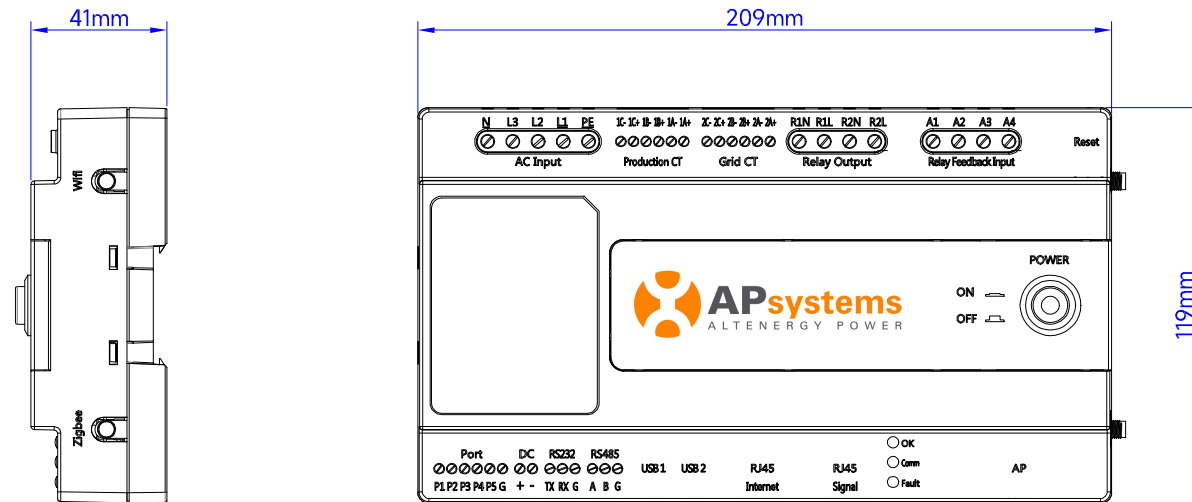
Bus Cable	Bus Cable End Cap	Bus Cable CONN Cap	5C Connector Unlock Tool	DC Male Connector Cap	DC Female Connector Cap
 <p data-bbox="219 619 282 643">Pic. A</p>	 <p data-bbox="573 619 636 643">Pic. B</p>	 <p data-bbox="920 619 983 643">Pic. C</p>	 <p data-bbox="1272 619 1335 643">Pic. D</p>	 <p data-bbox="1630 619 1693 643">Pic. E</p>	 <p data-bbox="1984 619 2047 643">Pic. F</p>
AC Connector (Male)	AC Connector (Female)	DC Extension Cable			
 <p data-bbox="219 1054 282 1078">Pic. G</p>	 <p data-bbox="573 1054 636 1078">Pic. H</p>	 <p data-bbox="920 1054 983 1078">Pic. I</p>			

ECU-C Accessories

1. Wiring Diagram








2. ECU-C Dimensions



3. Accessories Summary

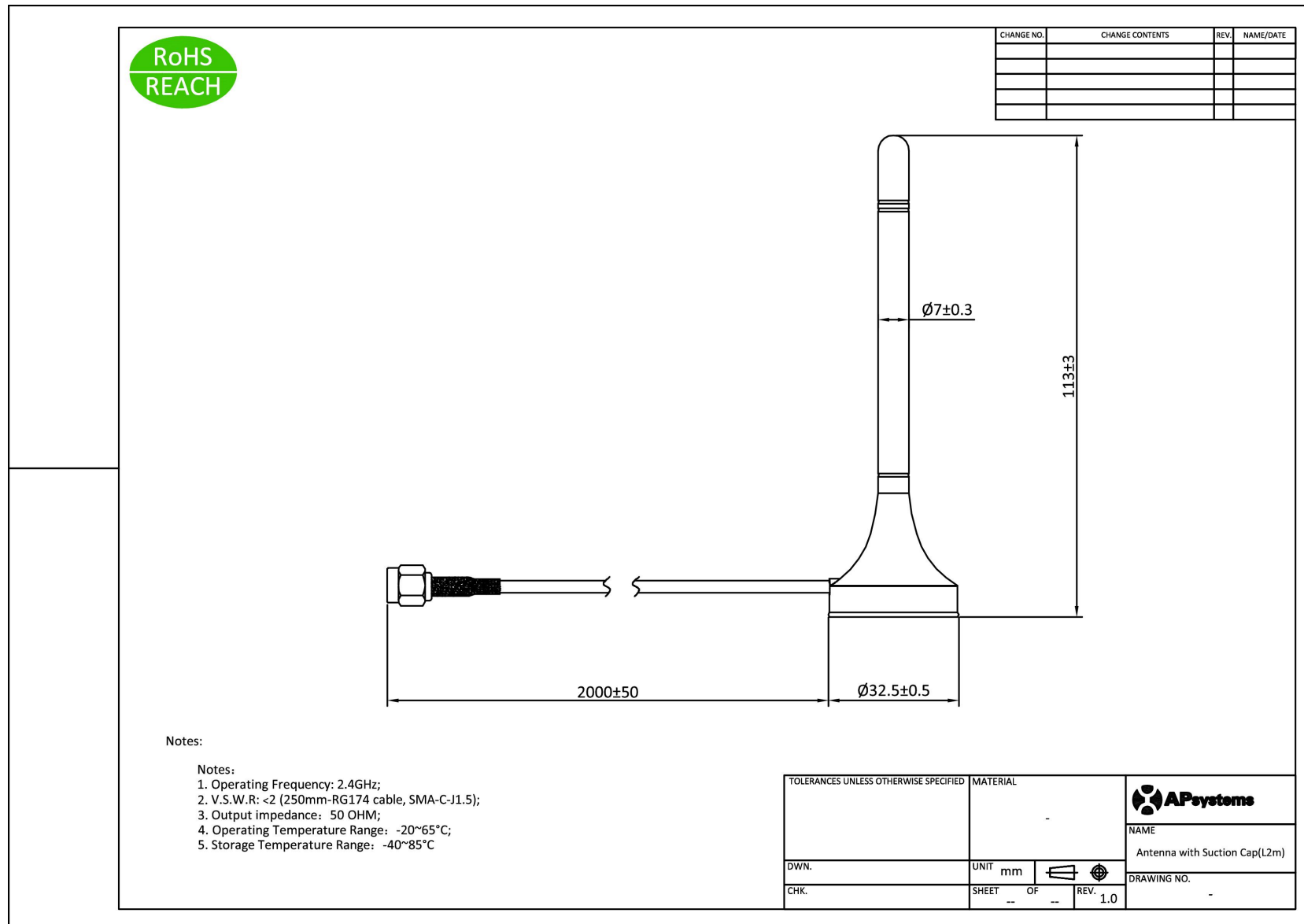
Region		Accessories			
		Antenna with Suction Cap (Supply)	Ethernet Cable (Supply)	Current Transformer (Optional)	Signal Booster (Optional)
APAC	Taiwan Philippines Thailand	Antenna with Suction Cap(L2m) (See Pic. A)	Ethernet cable (See Pic. B)	18083020112_Current Transformer (80A/26.6mA) (See Pic. C)	2376000003_Signal Booster (American Standard) (See Pic. E)
	Sri Lanka Vietnam Indonesia			18083020012_Current Transformer (200A/66.6mA) (See Pic. D)	2376010003_Signal Booster (European Standard) (See Pic. E)

4. Physical Picture

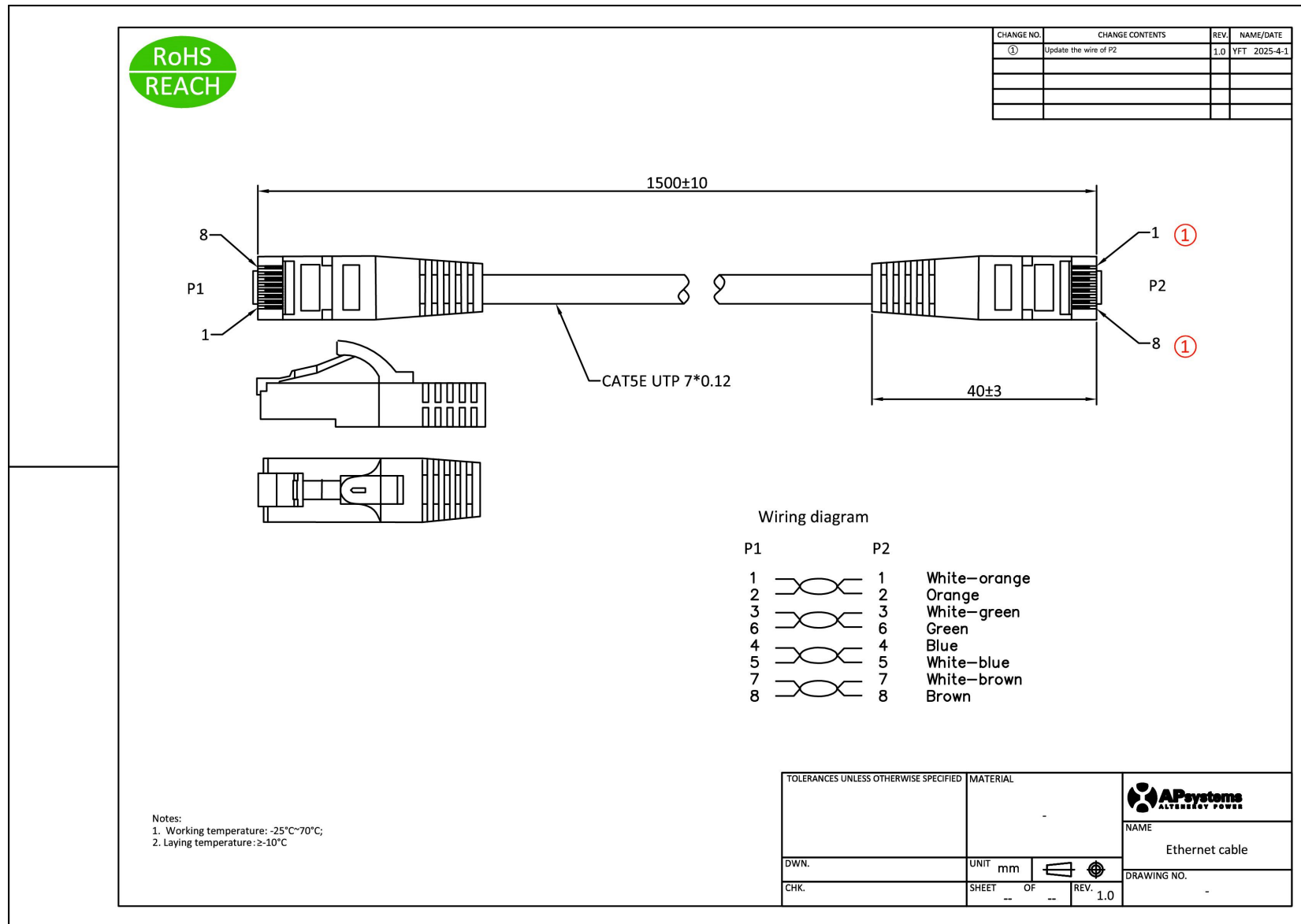
Antenna with Suction Cap	Ethernet Cable	Current Transformer		Signal Booster
 <p data-bbox="288 770 353 799">Pic. A</p>	 <p data-bbox="696 770 761 799">Pic. B</p>	 <p data-bbox="1099 770 1164 799">Pic. C</p>	 <p data-bbox="1503 770 1568 799">Pic. D</p>	 <p data-bbox="1906 770 1971 799">Pic. E</p>

5. Accessories information

Antenna with Suction Cap(L2m)



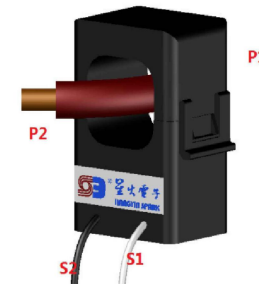
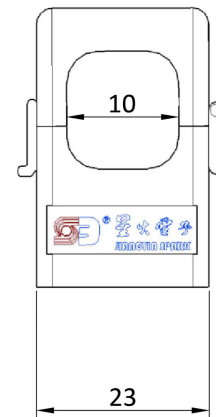
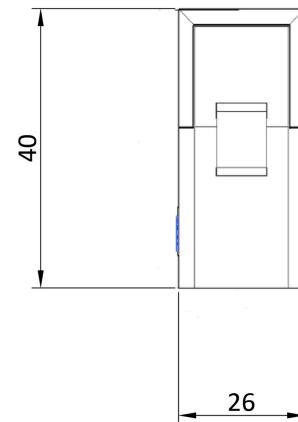
Ethernet cable



18083020112_Current Transformer (80A/26.6mA)




CHANGE NO.	CHANGE CONTENTS	REV.	NAME/DATE



SCT-T10		
Input current(A)	Turn ratio(T)	output voltage(mV)
5-80	1000-3000 Recommended value 3000	333-5000 Recommended value 333

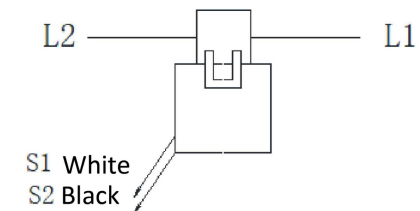
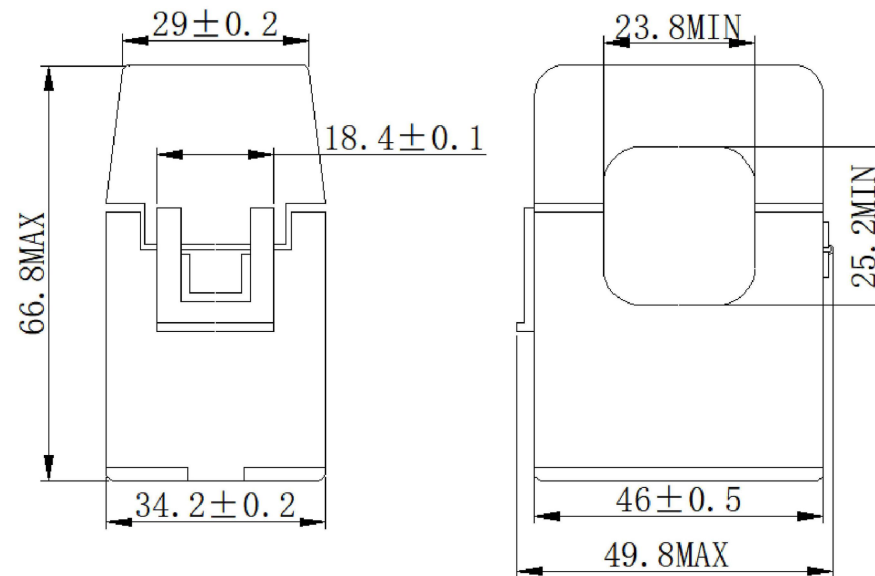
- Notes:
 1. Type: SCT-T10;
 2. Primary current range: 10-3000Arms;
 3. Lead wire: UL1007 24AWG, 1m;
 4. Working temperature: -25°C~50°C;

TOLERANCES UNLESS OTHERWISE SPECIFIED	MATERIAL	 NAME Current Transformer (80A/26.6mA)
DWN.	UNIT mm	
CHK.	SHEET OF REV. 0.0	DRAWING NO.


18083020012_Current Transformer (200A/66.6mA)

RoHS
REACH

CHANGE NO.	CHANGE CONTENTS	REV.	NAME/DATE

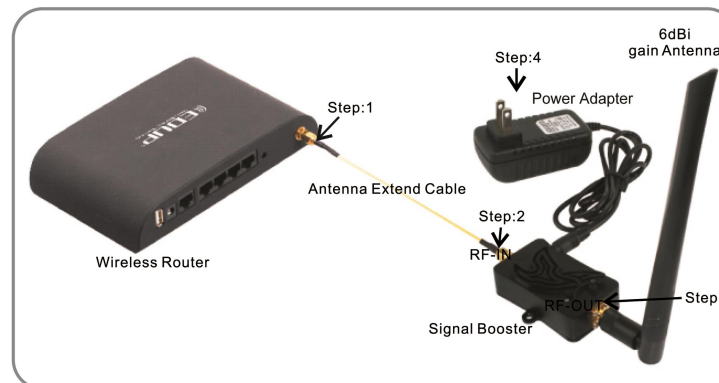


Notes:
1. Type: XH-SCT-T24/200;
2. Lead wire: UL1015 24AWG, 1m

TOLERANCES UNLESS OTHERWISE SPECIFIED	MATERIAL	APsystems ALTERNATE POWER	
		NAME Current Transformer (200A/66.6mA)	
DWN.	UNIT mm		DRAWING NO.
CHK.	SHEET OF	REV. 0.0	

Wifi booster instruction Manual

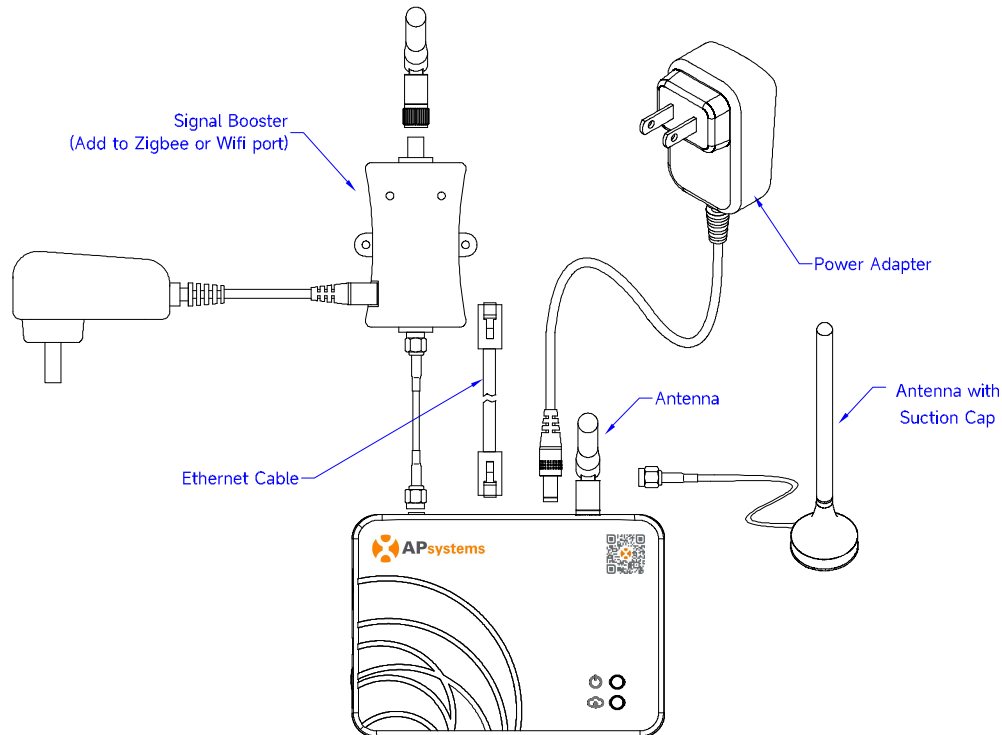
- 1.Support Standards:IEEE 802.11b/g/n
- 2.Frequency:2400~2500MHz
- 3.Working Pattern:TDD
- 4.RF Output Power:36dBm[4W]
- 5.Input Trigger Power:Min:3dBm Max:20dBm
- 6.Transmit Gain:13 dB±1
- 7.Receiver Gain:10 dB±1
- 8.TX/RX Switch Time Delay: < 1us
- 9.Noise Figure: < 2.5dB(typical)
- 10.Operating Temp:-40°C~+70°C
- 11.Working Voltage:6-18VDC
- 12.Operating Humidity:up to 95% rel humidity



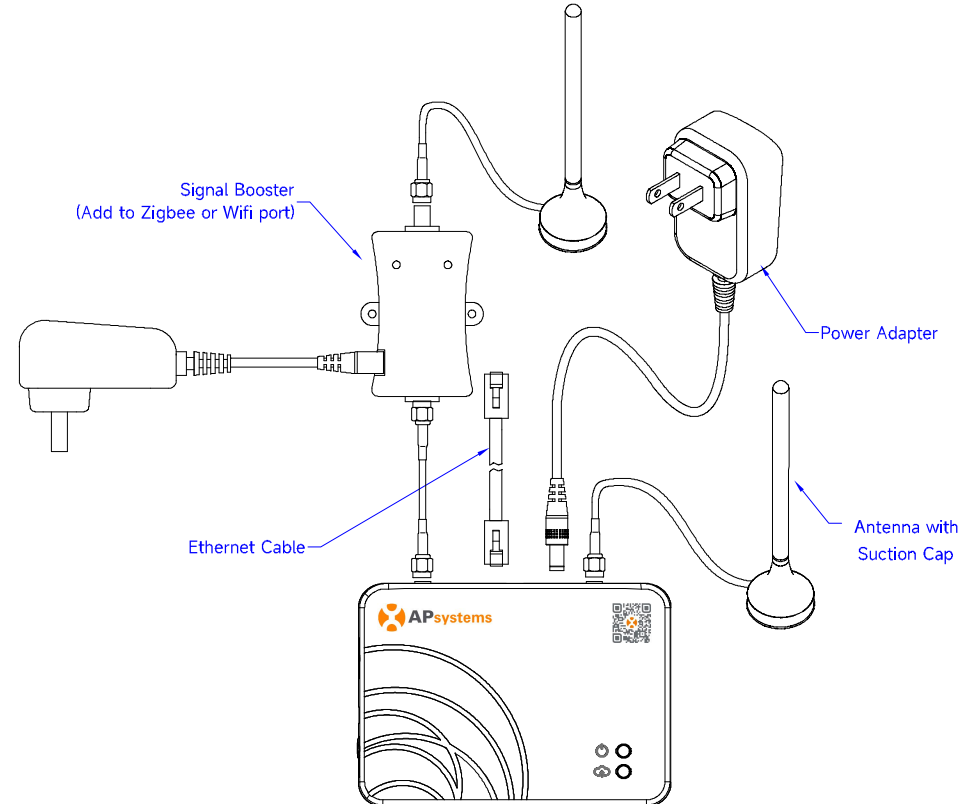
- Step1:Remove the Antenna from the wireless Router (Access Point)
 Step2:Use cable to connect the Booster and AP
 Step3:Connect the Antenna to the other end of Booster
 Step4:Plug in the Power Adapter

ECU-R Accessories

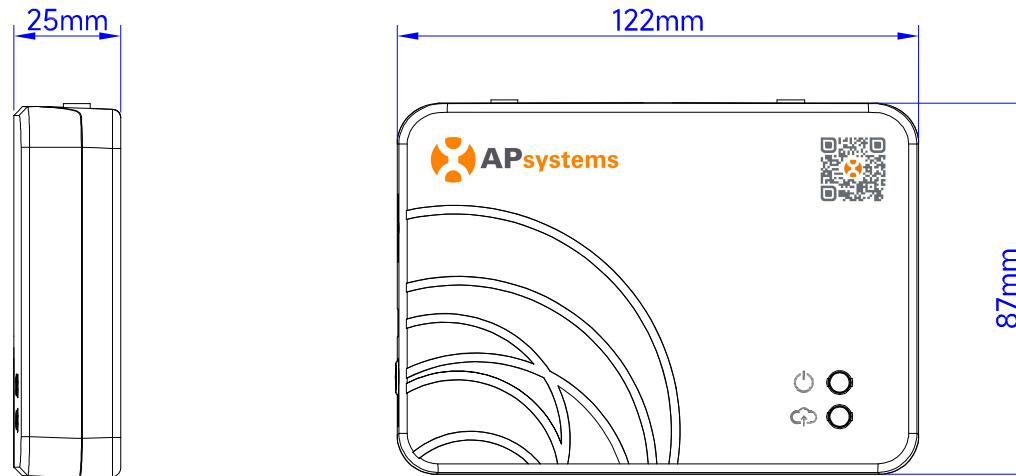
1. Wiring Diagram ECU-R-NA/EU



ECU-R-NA(for APAC)/EU(for APAC)/UK(for APAC)



2. ECU-R Dimensions










3. Accessories Summary

Region		Accessories				
		Antenna (Supply)	Antenna with Suction Cap (Optional)	Ethernet Cable (Supply)	Power Adapter (Supply)	Signal Booster (Optional)
APAC	-NA: 209001	Antenna (See Pic. A)	2365090002_Antenna with Suction Cap(L2m) (See Pic.B)	Ethernet cable (See Pic. C)	Power Adapter (US) (See Pic. D)	2376000003_Signal Booster (American Standard) (See Pic. G)
	-EU: 209018				Power Adapter (EU) (See Pic. E)	2376010003_Signal Booster (European Standard) (See Pic. G)

Region		Accessories			
		Antenna with Suction Cap (Supply)	Ethernet Cable (Supply)	Power Adapter (Supply)	Signal Booster (Optional)
APAC	-NA(for APAC): 209091	Antenna with Suction Cap(L2m) (See Pic.B)	Ethernet cable (See Pic. C)	Power Adapter (US) (See Pic. D)	2376000003_Signal Booster (American Standard) (See Pic. G)
	-EU(for APAC): 209090			Power Adapter (EU) (See Pic. E)	2376010003_Signal Booster (European Standard) (See Pic. G)
	-UK(for APAC): 209092			Power Adapter (UK) (See Pic. F)	/

4. Physical Picture

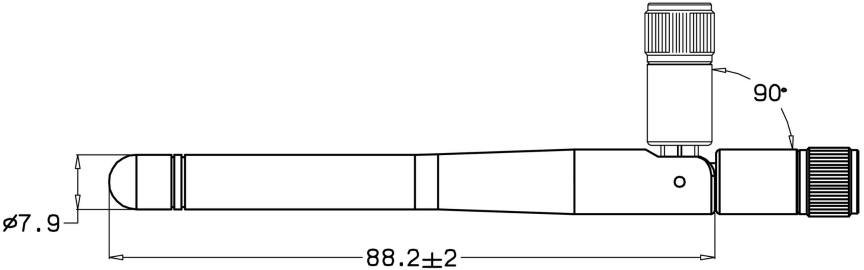
Antenna	Antenna with Suction Cap	Ethernet Cable	Power Adapter		
 <p data-bbox="215 711 277 735">Pic. A</p>	 <p data-bbox="566 711 629 735">Pic. B</p>	 <p data-bbox="920 711 983 735">Pic. C</p>	 <p data-bbox="1270 711 1332 735">Pic. D</p>	 <p data-bbox="1624 711 1686 735">Pic. E</p>	 <p data-bbox="1982 711 2045 735">Pic. F</p>
<p data-bbox="165 746 327 770">Signal Booster</p>  <p data-bbox="215 1158 277 1182">Pic. G</p>					

5. Accessories information

Antenna

RoHS
REACH

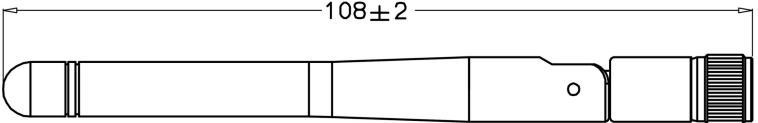
CHANGE NO.	CHANGE CONTENTS	REV.	NAME/DATE



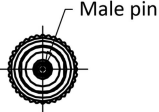
90°

∅7.9


88.2±2



108±2




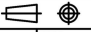
Male pin



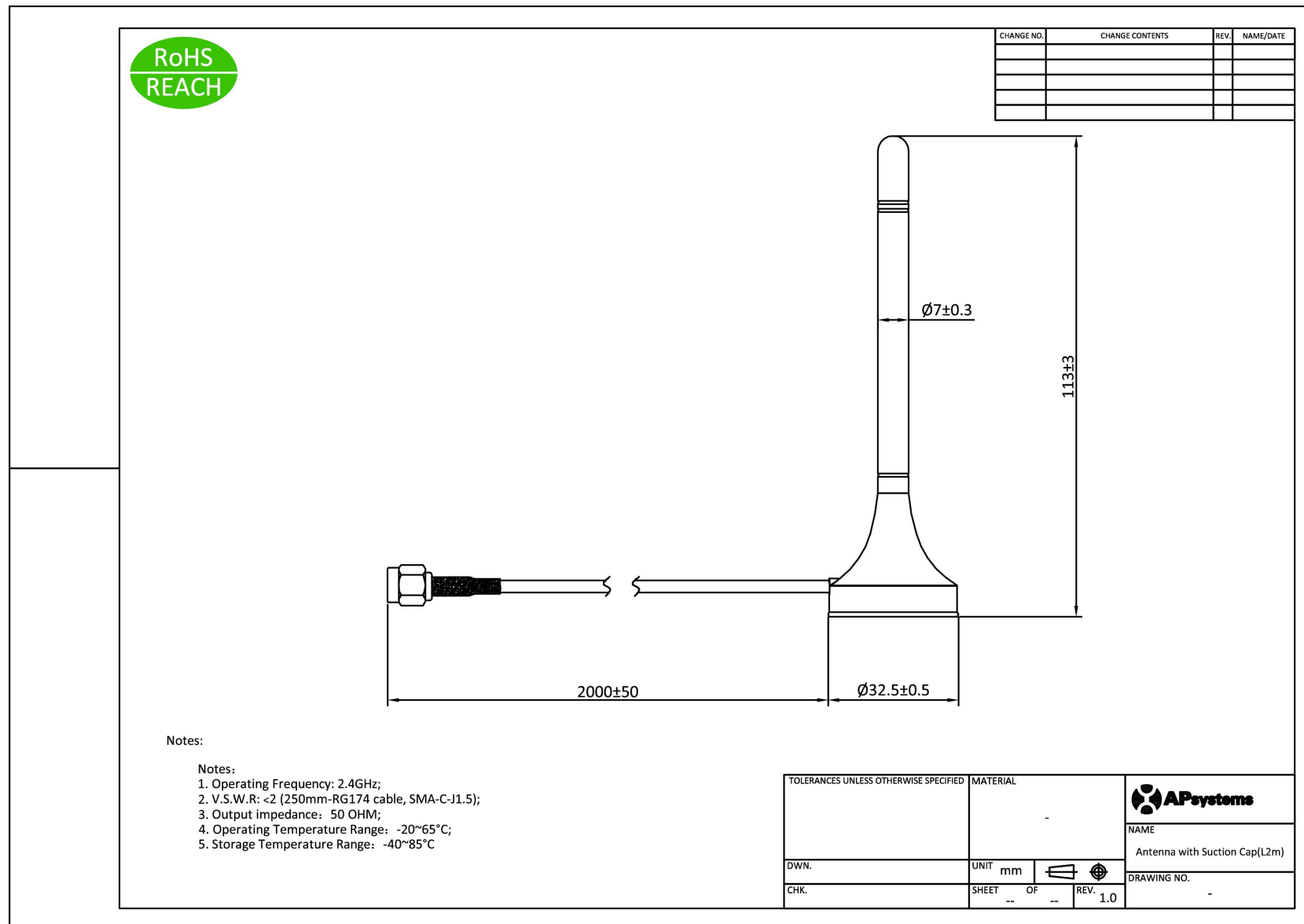
∅10

Electrical parameters:

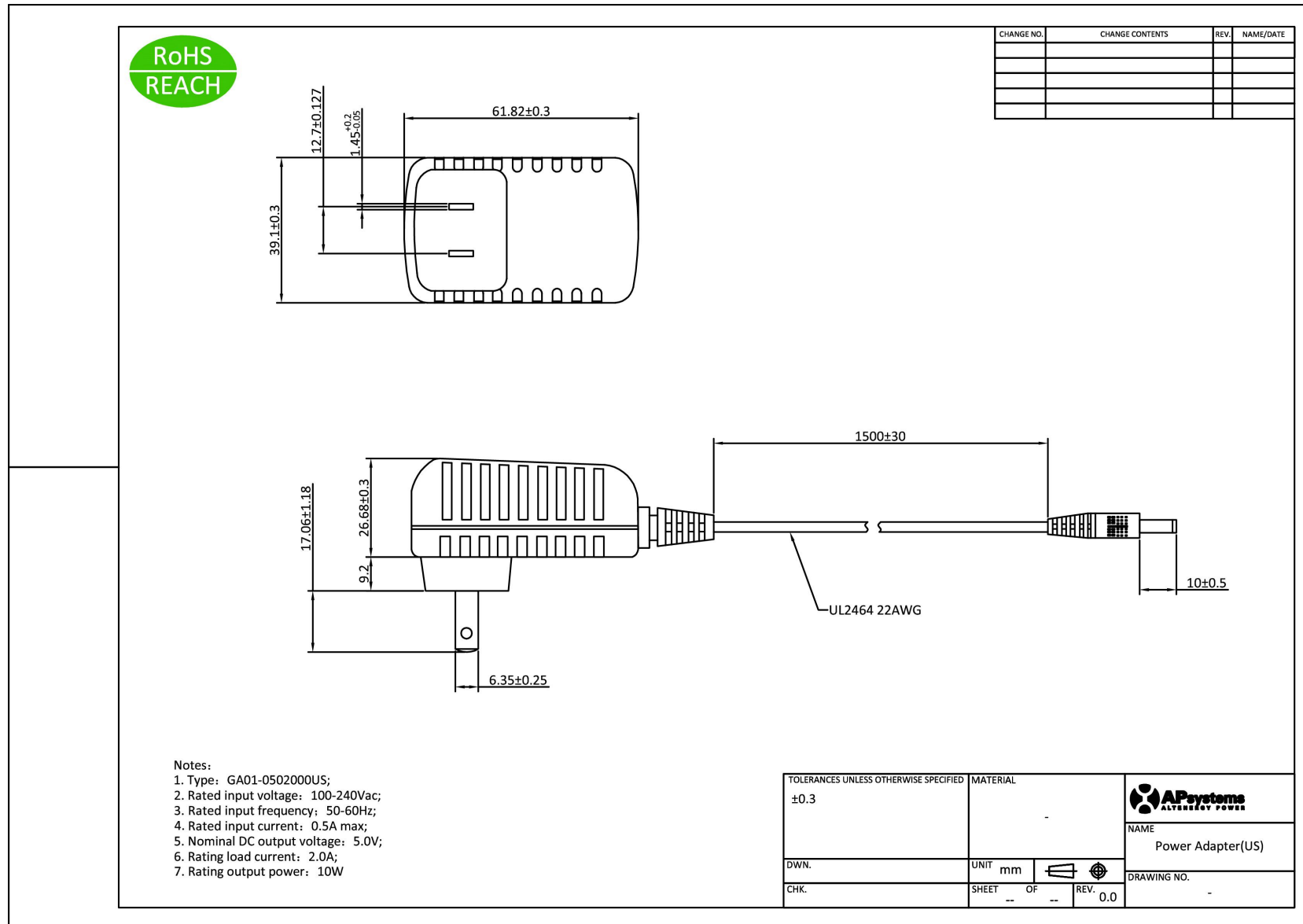
1. Frequency range: 2400-2500 MHz;
2. Gain: 2dBi;
3. VSWR: <2:1;
4. Polarization: linear.Vertical;
5. Max power rating: 50W;
6. Impedance: 50 OHM

TOLERANCES UNLESS OTHERWISE SPECIFIED	MATERIAL	
0~1 ±0.1	 NAME Antenna DRAWING NO. -	
1~10 ±0.3		
10~30 ±0.8		
30~100 ±1		
100~300 ±2		
ANGLES: x° ±1° x.x° ±0.5°		
DWN.	UNIT mm	
CHK.	SHEET -- OF --	REV. 0.0

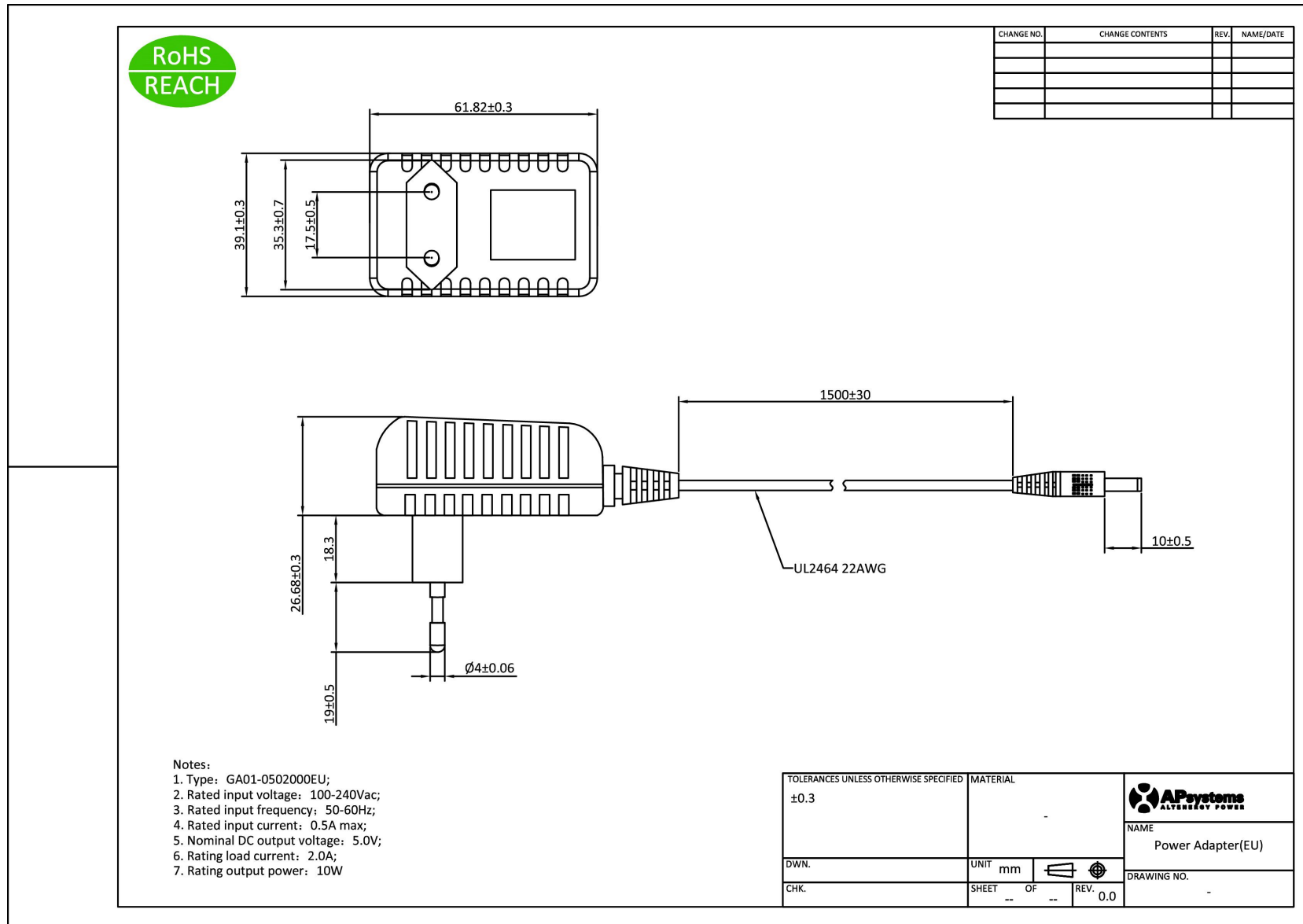
2365090002_Antenna with Suction Cap(L2m)



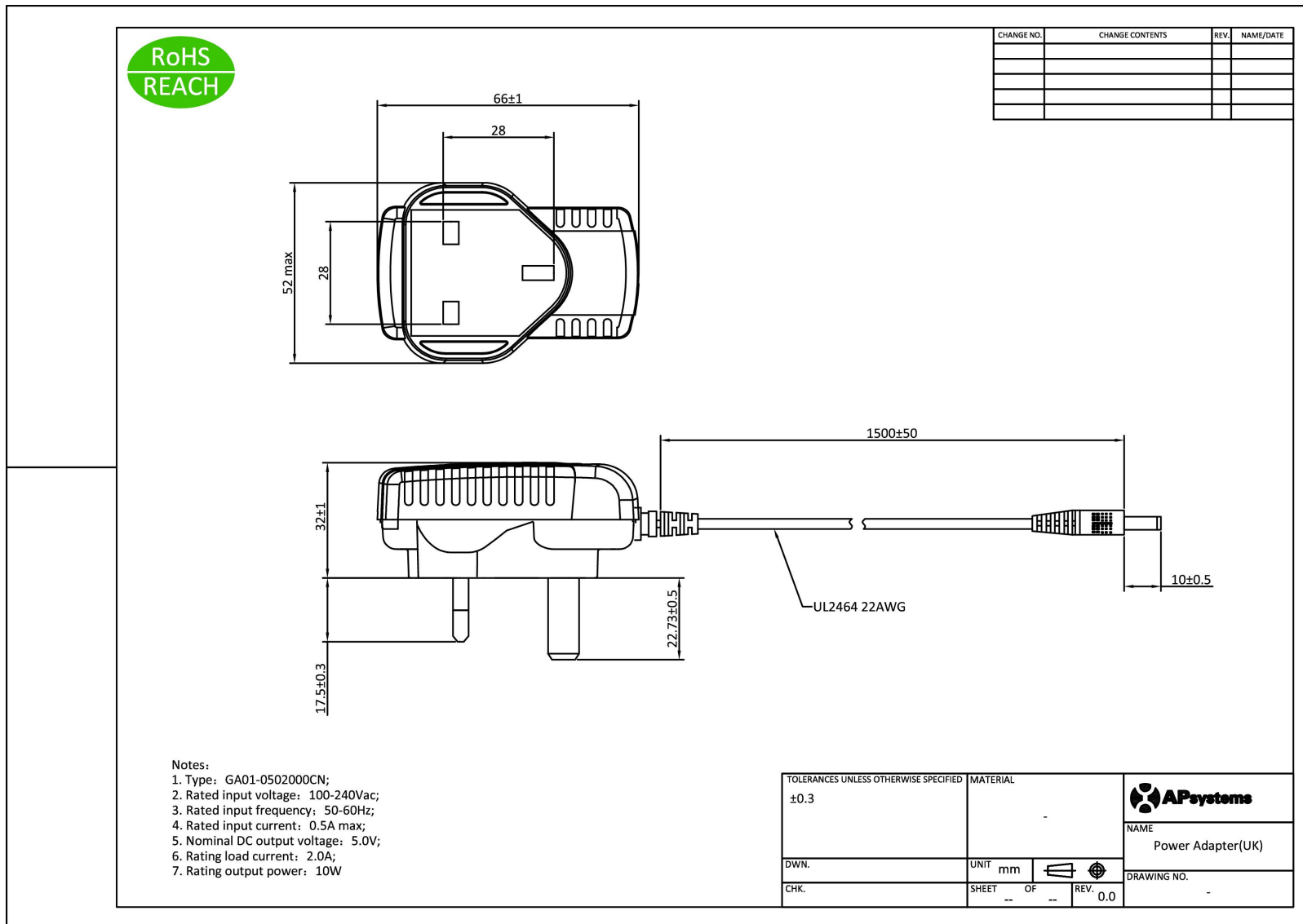
Power Adapter (US)



Power Adapter (EU)

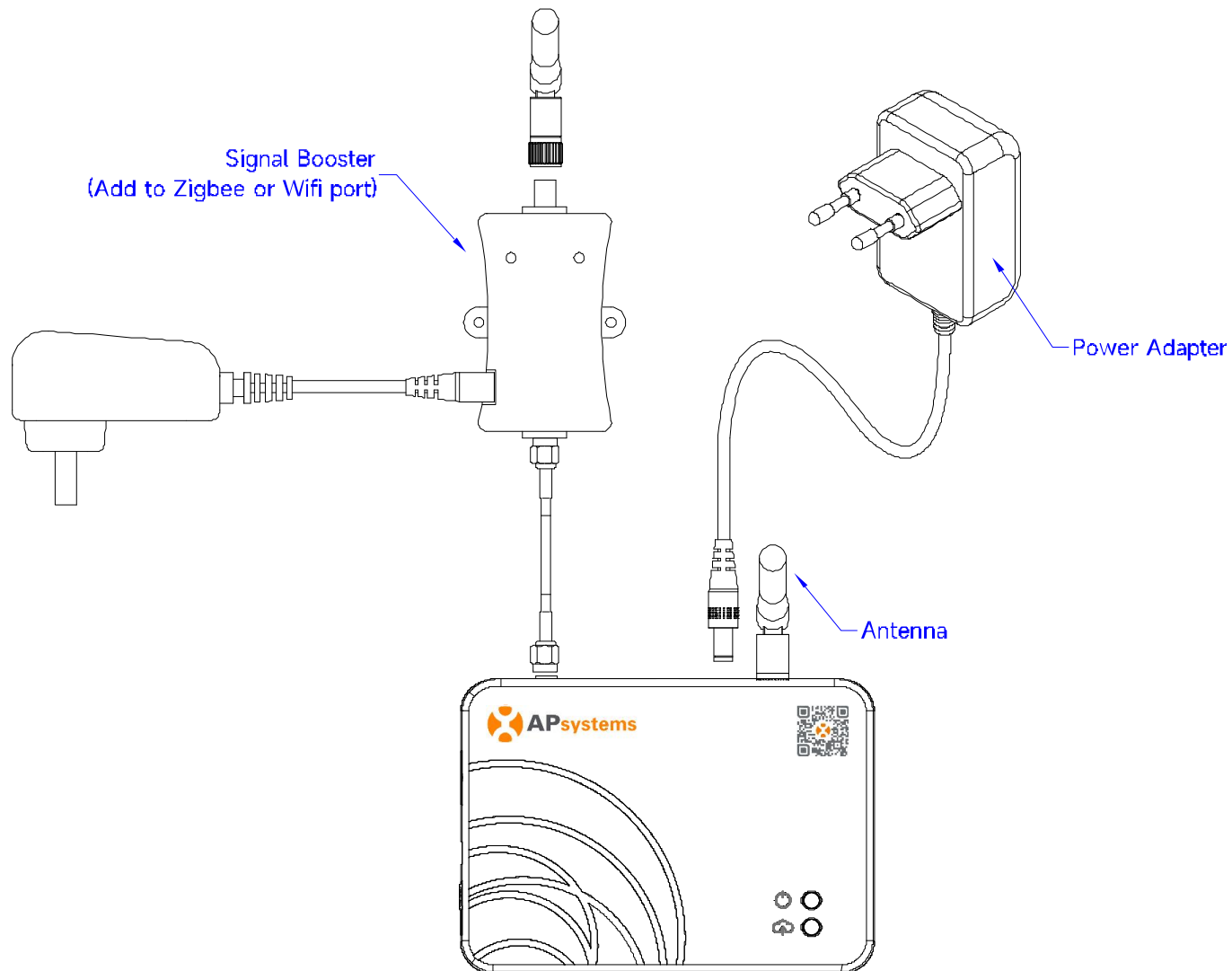


Power Adapter (UK)

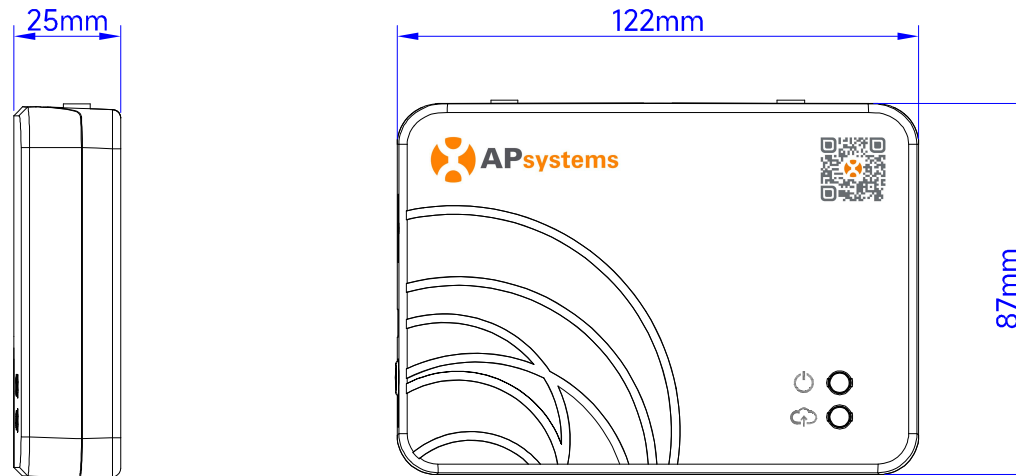


ECU-B Accessories

1. Wiring Diagram







2. ECU-B Dimensions



3. Accessories Summary

Region		Accessories		
		Antenna (Supply)	Power Adapter (Supply)	Signal Booster (Optional)
APAC	-NA: 211001	Antenna (See Pic. A)	Power Adapter (US) (See Pic. B)	237600003_Signal Booster (American Standard) (See Pic. D)
	-EU: 211018		Power Adapter (EU) (See Pic. C)	2376010003_Signal Booster (European Standard) (See Pic. D)

4. Physical Picture

Antenna	Power Adapter		Signal Booster
 <p data-bbox="472 754 539 778">Pic. A</p>	 <p data-bbox="882 754 949 778">Pic. B</p>	 <p data-bbox="1290 754 1357 778">Pic. C</p>	 <p data-bbox="1700 754 1767 778">Pic. D</p>

Revision history		
Version	Change contents	Date
REV1.0	First edition	2022-08-23
REV1.1	Update DS3/DS3D wiring diagram; DS3/DS3D add AC branch extension cable; DS3/DS3D/QT2/QT2D add DC extension cable(MC4); Update Tel	2022-12-03
REV1.2	Update DS3 dimensions; Delete QT2 6m DC extension cable(MC4); Update ECU-C/ECU-R/ECU-B wiring diagram	2022-12-08
REV1.3	Update DS3/DS3D/QT2/QT2D wiring diagram; Change QT2 accessories	2023-02-25
REV1.4	Update QT2 wiring diagram; Update QT2 accessories; Add DS3/DS3D/QT2 bus cable; Update the name of DS3/DS3D/QT2D bus cable end cap	2023-06-16
REV1.5	Update all drawings, add DS3 bus cable(2.5mm ² ,H07,4m)	2023-7-10
REV1.6	Update the DS3/DS3D bus cable and 5C AC Connector drawings; change the 5C Bus Cable End Cap; update the address information	2024-07-31
REV1.7	Change 3C connector unlock tool; Update QT2 dimensions; Update antenna of ECU-R; Update ethernet cable drawing	2025-05-06
REV1.8	DS3/DS3D add AC3 wiring diagram, AC3 accessories summary and AC3 physical picture, Add AC3 accessories information	2025-06-24
REV1.9	Add ACB3 connector at the end of Y3 bus cable; Update QT2D graphics and dimensions; Update the bus cable of DS3/DS3D	2025-09-09