



Description COMPACT MINIATURE CIRCUIT BREAKER

Code MTC 60

No. of poles 1P+N

No. modules 1

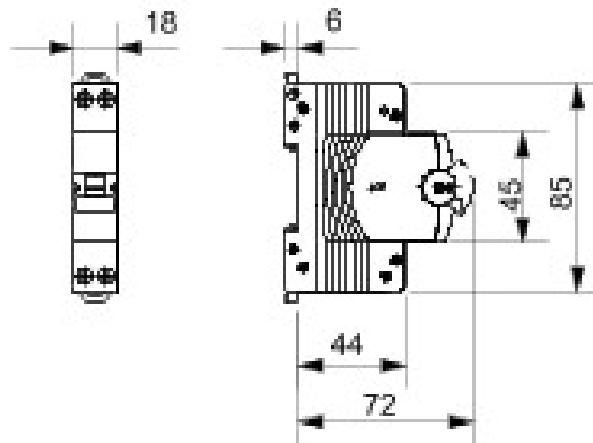
Rated current 16 A

Curve B

Rated voltage 230 V

Standard	EN 60898, EN 60947-2	Rated frequency (Hz)	50/60 Hz
Breaking capacity EN 60898 230V (Icn)	6000 A	Breaking capacity EN 60898 (Ics)	1 x Icn
Breaking capacity EN 60947-2 230V (Icu)	10 kA	Breaking capacity EN 60947-2 (Ics)	100% Icu
Insulation voltage	500 V	Rated impulse withstand voltage	4 kV
Minimum operating voltage	12V ac/dc	Maximum operating voltage	440V AC / 220V DC
Electrical endurance	10000	Mechanical endurance	20.000
Section rigid cable	<=1x16 - <=1x10+1x6 mm ²	Section flexible cable	<=1x10 - <=2x6 mm ²
Rated tightening torque	1.2 Nm	Operating temperature	-25 +60 °C
Stocking temperature	-40 +70 °C	Electrocod	1411

DIMENSIONAL



STANDARDS/APPROVALS



GEWISS S.p.A. Via A. Volta, 1
24069 Cenate Sotto - Bergamo - Italy
tel. +39 035 94 61 11 fax +39 035 94 69 09

www.gewiss.com
sat@gewiss.com
Last update 28/08/2019

Data, measures, designs and pictures are shown only as informativ purposes, and could be changed without previous notice